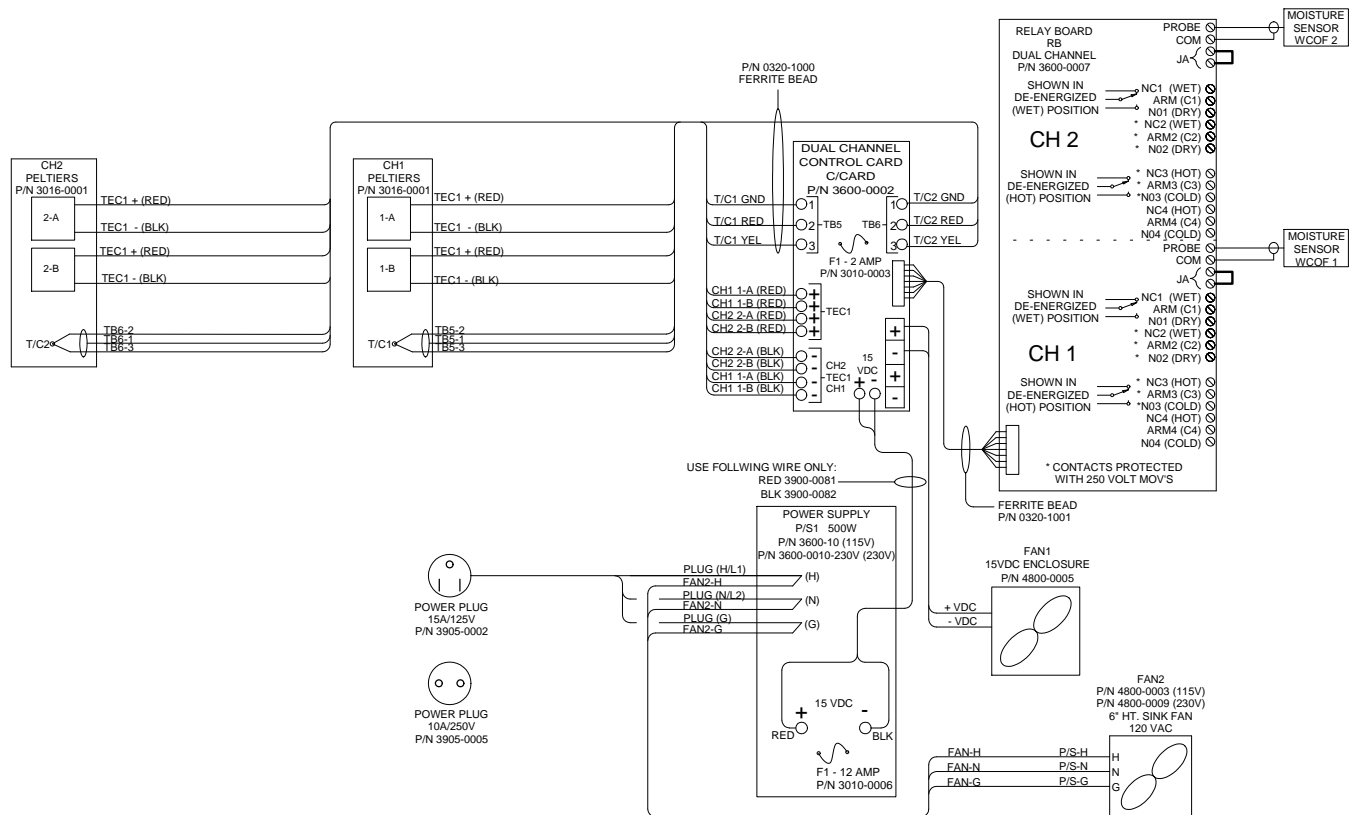


SEE SHEET 2 FOR WIRING SCHEMATIC

UNIVERSAL ANALYZERS INC.		H	01/04/11	Remove Impingers & Molex Connectors	MW	JH
5200 Convair Drive Carson City, Nevada 89706 USA		REV	DATE	DESCRIPTION	DWN	APVD
REVISIONS						
DATE		SCALE		SIZE	SHEET	
09/10/1991		NTS		D	1 OF 2	
DRAWN BY		FOR		ECO#	DRAWING NO.	
APVD BY		N/A		557	P0005	
PART NO.	FOR					
1080	N/A					



CONDUIT AND WIRING NOTES

1. ELECTRICAL CLASSIFICATION - INSIDE - GENERAL PURPOSE SYSTEM IS CONFIGURED AT THE FACTORY FOR REQUIRED VOLTAGE. CONTACT FACTORY FOR VOLTAGE CHANGE REQUIREMENTS.

2. AC WIRING SHALL BE INDIVIDUAL CONDUCTORS OF STRANDED TINNED COPPER WITH 300V, TYPE TFE INSULATION. MINIMUM WIRE SIZE SHALL BE 18 AWG UNLESS OTHERWISE SPECIFIED. COLOR CODE SHALL BE AS FOLLOWS:

115V - HOT - BLACK 230V - HOT - BROWN
 NEUTRAL - WHITE NEUTRAL - BLUE
 GROUND - GREEN GROUND - GREEN / YELLOW

3. DC WIRING SHALL BE INDIVIDUAL CONDUCTORS OF STRANDED TINNED COPPER WITH 300V, TYPE TFE INSULATION. MINIMUM WIRE SIZE SHALL BE 22 AWG UNLESS OTHERWISE SPECIFIED. COLOR CODE SHALL BE AS FOLLOWS, UNLESS OTHERWISE SPECIFIED:

115V +V RED 230V +V RED
 -V BLUE -V BLACK

RELAY BOARD NOTES

4. USER CONNECTIONS TO MOISTURE SENSOR RELAY ENERGIZED WHEN SENSOR IS DRY (DRY LED ON). RATING: 1/10HP 120VAC 5A 240VAC/32VDC RESISTIVE.

5. USER CONNECTIONS TO 'AT TEMPERATURE' RELAY ENERGIZED WHEN BELOW SET TEMPERATURE (COOL LED ON). RATING: 1/10HP 120VAC 5A 240VAC/32VDC RESISTIVE.

 FIELD TO WIRE

UNIVERSAL ANALYZERS INC. 5200 Convair Drive Carson City, Nevada 89706 USA		H	01/04/11	Remove Impingers & Molex Connectors	MW	JH
REV	DATE	DESCRIPTION			DWN	APVD
REVISIONS						
DATE	SCALE	SIZE	SHEET			
09/10/1991	NTS	D	2 OF 2			
DRAWN BY	E. Musselman	ECO#	DRAWING NO.			
APVD BY	T. Barben	557	P0005			
PART NO.	FOR					
1080	N/A					