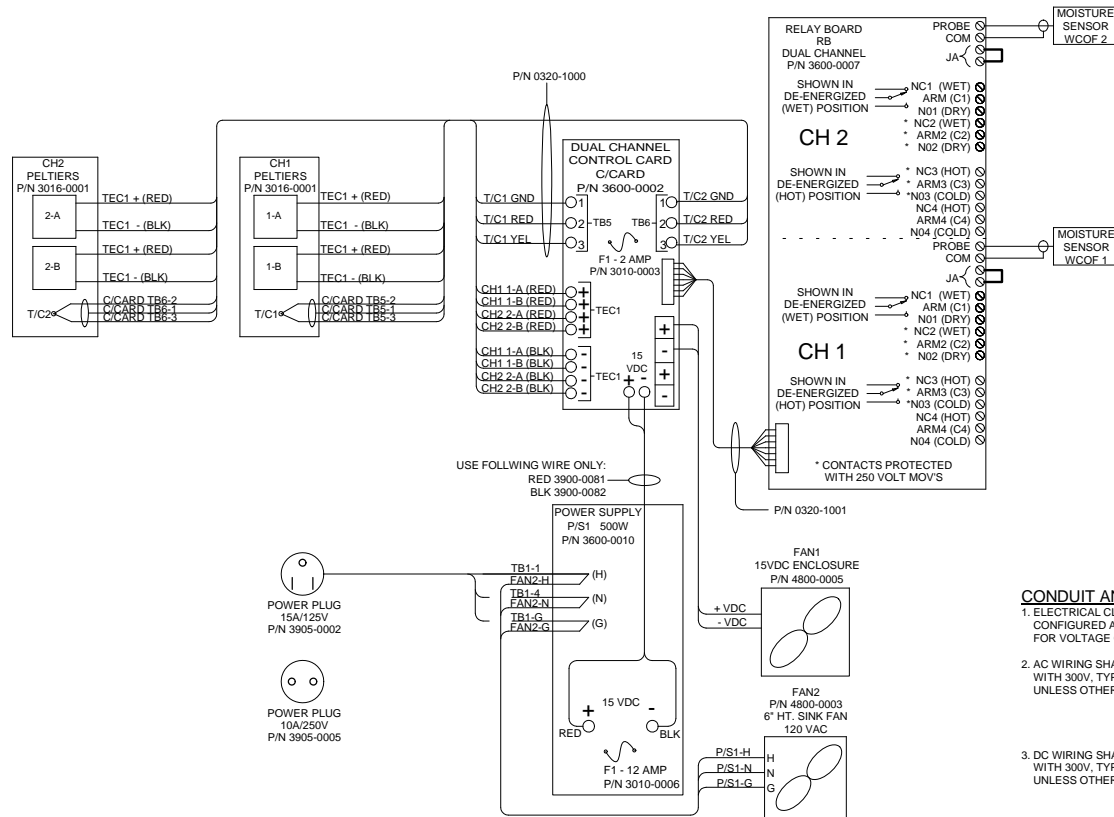


SEE SHEET 2 FOR WIRING SCHEMATIC

		E 11/06/07	Revised Per Sheet 2	RW	GE
1701 South SutröTerrace Carson City, Nevada 89706 USA		REV	DATE	DESCRIPTION	DWN/APVD
<b>MODEL 1090 SAMPLE COOLER ARRANGEMENT</b>					
PART NO. NOT ISSUED		FOR N/A		DATE 03/14/1993	REVISIONS SCALE NTS
DRAWN BY APVD BY		FOR N/A		SIZE D	SHEET 1 OF 2
DRAWN BY E. Musselman APVD BY T. Barben				DRAWING NO. <b>P0041</b>	

8 | 7 | 6 | 5 | 4 | 3 | 2 | 1



- CONDUIT AND WIRING NOTES**
- ELECTRICAL CLASSIFICATION : INSIDE - GENERAL PURPOSE SYSTEM IS CONFIGURED AT THE FACTORY FOR REQUIRED VOLTAGE. CONTACT FACTORY FOR VOLTAGE CHANGE REQUIREMENTS.
  - AC WIRING SHALL BE INDIVIDUAL CONDUCTORS OF STRANDED TINNED COPPER WITH 300V, TYPE TFE INSULATION. MINIMUM WIRE SIZE SHALL BE 18 AWG UNLESS OTHERWISE SPECIFIED. COLOR CODE SHALL BE AS FOLLOWS:  
 HOT - BLACK  
 COMMON - WHITE  
 GROUND - GREEN
  - DC WIRING SHALL BE INDIVIDUAL CONDUCTORS OF STRANDED TINNED COPPER WITH 300V, TYPE TFE INSULATION. MINIMUM WIRE SIZE SHALL BE 22 AWG UNLESS OTHERWISE SPECIFIED. COLOR CODE SHALL BE AS FOLLOWS:  
 +V - RED  
 0V - BLACK
- RELAY BOARD NOTES**
- USER CONNECTIONS TO MOISTURE SENSOR RELAY ENERGIZED WHEN SENSOR IS DRY (DRY LED ON). RATING: 1/10HP 120VAC 5A 240VAC/32VDC RESISTIVE.
  - USER CONNECTIONS TO 'AT TEMPERATURE' RELAY ENERGIZED WHEN BELOW SET TEMPERATURE (COOL LED ON). RATING: 1/10HP 120VAC 5A 240VAC/32VDC RESISTIVE.

----- FIELD TO WIRE -----

<b>UNIVERSAL ANALYZERS INC.</b> 1701 South Sutrø Terrace Carson City, Nevada 89706 USA		E 11/06/07	Add Ferrite Beads For RF Suppression	RW	GE
REV	DATE	DESCRIPTION		DWN	APVD
REVISIONS					
MODEL 1090 SAMPLE COOLER WIRING SCHEMATIC		DATE	SCALE	SIZE	SHEET
PART NO. NOT ISSUED		03/14/1993	NTS	D	2 OF 2
FOR N/A		DRAWING NO. P0041			
DRAWN BY E. Musselman		APVD BY T. Barben			

8 | 7 | 6 | 5 | 4 | 3 | 2 | 1