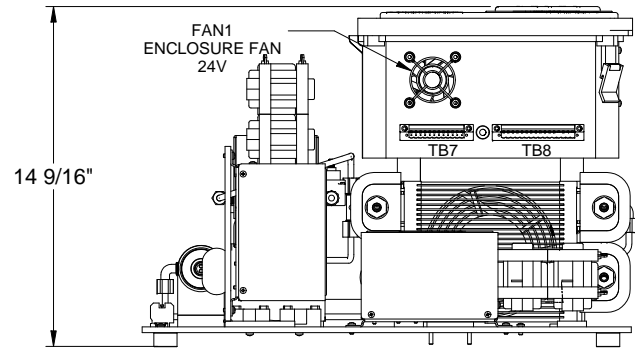
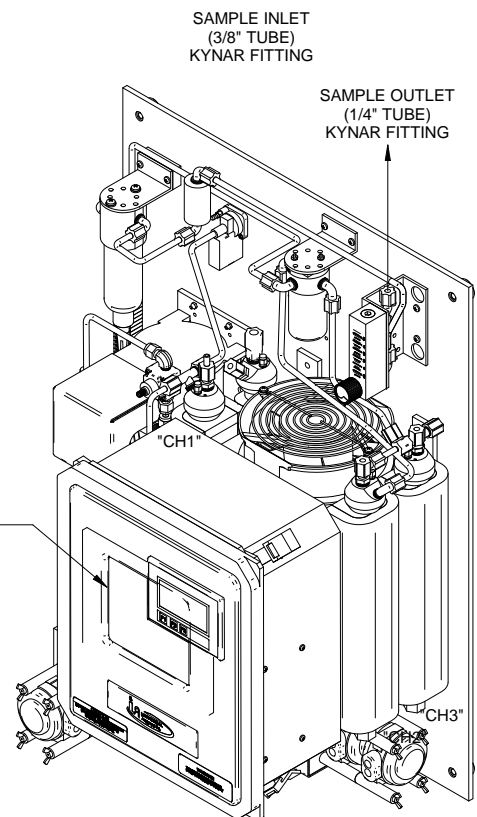


MOUNTING HOLES FOR 1/4" HARDWARE (SUPPLIED BY OTHERS) 4 TYP.

PLC ENCLOSURE SHOWN WITH DOOR REMOVED

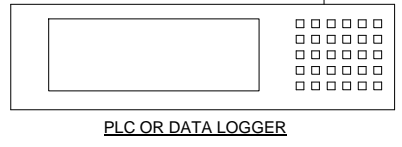
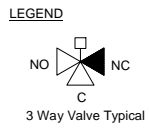
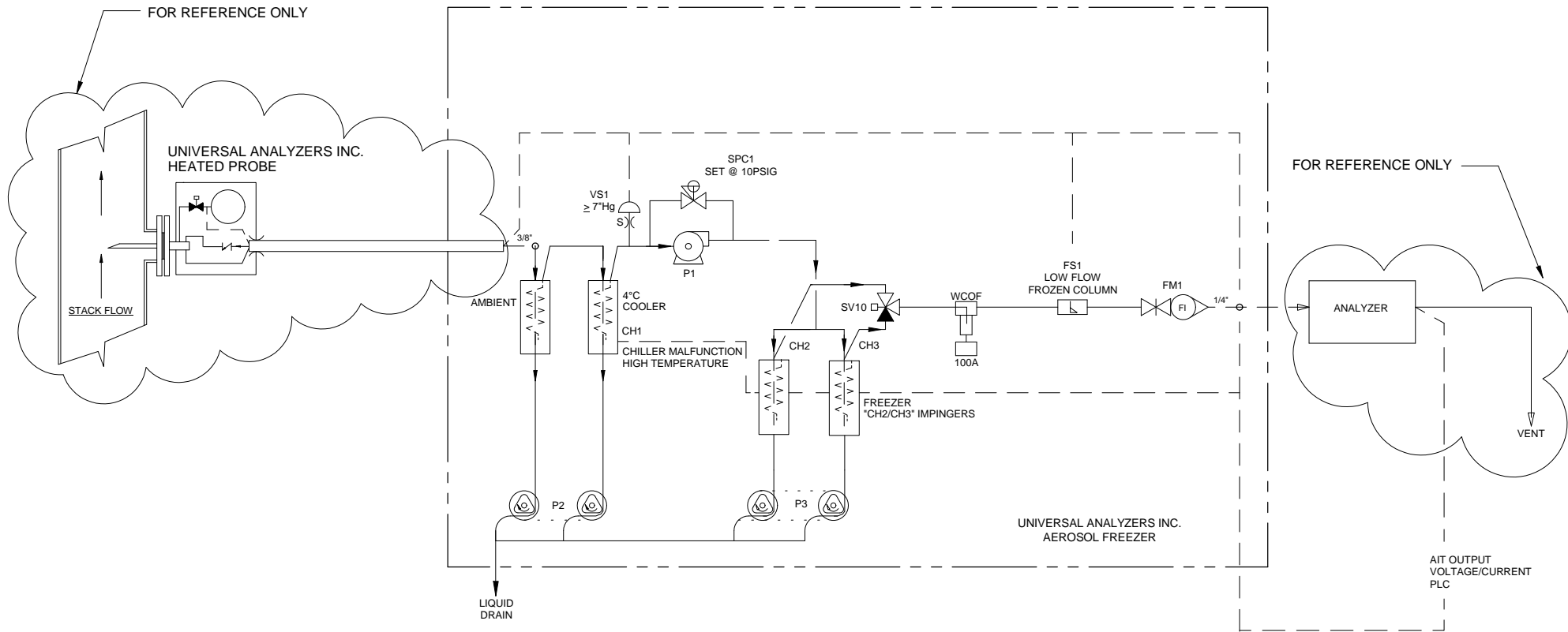
100A MOISTURE SENSOR CARD



Part Number	Line Voltage
1095E-115	115VAC
1095E-230	230VAC

- Notes:
- 1). Arrangement may vary according to good engineering and assembly practices.
 - 2). See Sheet 2 for P&ID.
 - 3). See Sheet 3 for Wiring Schematic.
 - 4). See P1213 For Electronics Sub Assembly.
 - 5). See P1214 For Heatsink Sub-Assembly.

UNIVERSAL ANALYZERS INC. 5200 Convent Drive Carson City, Nevada 89706 USA		Q 03/11/11	Indicate Kynar Fittings	MW	RW
1095E 115/230VAC LAYOUT & DIMENSIONS		REV DATE	DESCRIPTION	REVISIONS	
PART NO.	FOR	DATE	SCALE	SIZE	SHEET
SEE TABLE	Instrument	02/16/2007	NTS	D	1 OF 3
		DRAWN BY	ECO#	DRAWING NO.	
		R. Wells		P1155	
		APVD BY			
		P. Stockwell	755		



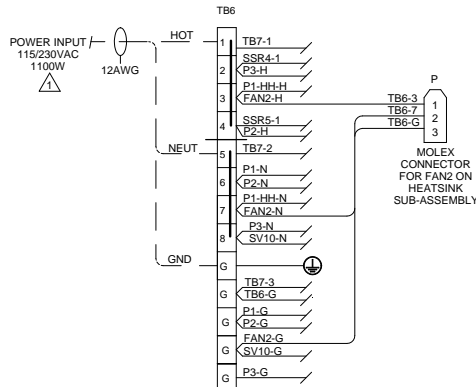
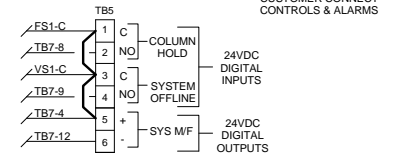
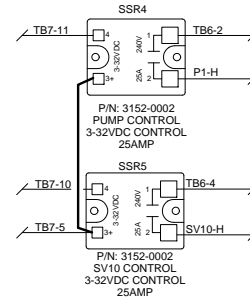
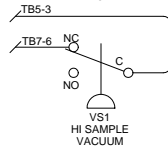
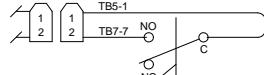
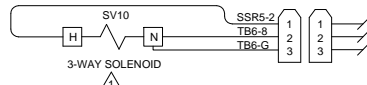
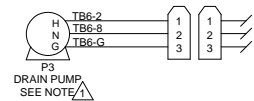
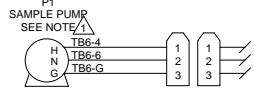
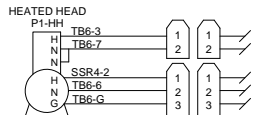
Item	Qty	Description	UAI Part No.
VS1	1	Switch - Vacuum Air Logic 0-29"Hg	3103-0017
WCOF	1	Water Carry Over Sensor - Sacrificial Filter	4980-1030
SPC1	1	Sample Pressure Control	4955-0246
P1	1	Sample Pump - 115Vac Single Heated Head Mini Dia Vac	4958-0125
P2	1	Sample Pump - 230Vac Single Heated Head Mini Dia Vac	4958-0168
FS1	1	Flow Switch - ≈560cc/m	3103-0051
SV10	1	Solenoid Valve - 115Vac 3-Way Teflon	4955-0048
SV10	1	Solenoid Valve - 230Vac 3-Way Teflon	4955-0057
P2, P3	2	Peristaltic Drain Pump - 115Vac Dual Head	4958-0012
P2, P3	2	Peristaltic Drain Pump - 230Vac Dual Head	4958-0035
FM1	1	Flowmeter w/ Needle Valve 0-5 l/m	4965-0008
S)	1	Snubber - #6-32	0000-0000

Part Number	Line Voltage
1095E-115	115VAC
1095E-230	230VAC

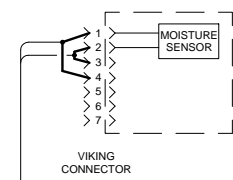
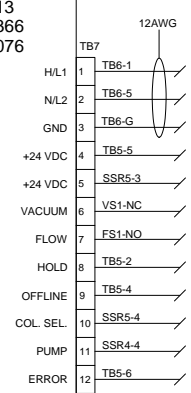
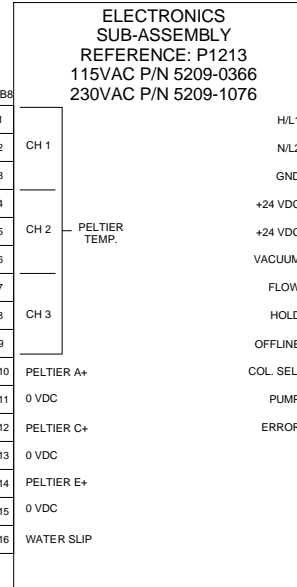
UNIVERSAL ANALYZERS INC.
5200 Convent Drive
Carson City, Nevada 89706 USA

Q	03/11/11	Revise Per Sheet 1	MW	RW
REV	DATE	DESCRIPTION	DWN	APVD
REVISIONS				
DATE	SCALE	SIZE	SHEET	
02/16/2007	NTS	D	2 OF 3	
PART NO.	FOR	DRAWN BY	ECO#	DRAWING NO.
SEE TABLE	Instrument	R. Wells	755	P1155
APVD BY		P. Stockwell		

8 | 7 | 6 | 5 | 4 | 3 | 2 | 1



HEAT SINK SUB-ASSEMBLY
REFERENCE: P1214
P/N 5209-0364 FOR 115VAC
P/N 5209-0393 FOR 230VAC



CONDUIT AND WIRING NOTES

- 1. Electrical Classification : Inside - General Purpose
System is configured at the factory for required voltage. Contact factory for voltage change requirements.
- 2. AC Wiring shall be individual conductors of stranded tinned copper with 300V, Type TFE Insulation. Minimum wire size shall be 18 AWG unless otherwise specified.
115VAC 230VAC
Color Code shall be as follows: Hot - Black L1 - Brown
Neutral - White L2 - Blue
Ground - Green GND - Green/Yellow
- 3. DC Wiring shall be individual conductors of stranded tinned copper with 300V, Type TFE Insulation. Minimum wire size shall be 22 AWG unless otherwise specified.
Color Code shall be as follows: +V - Red Yellow - Switch
-V - Blue on 115VAC Systems
Black on 230VAC Systems

HEAT SINK SUB-ASSEMBLY
INCLUDES MATING
CONNECTOR FOR TB8

FIELD TO WIRE

PLC LEGEND

PLC INPUTS	PLC OUTPUTS
X0 - VS1 HI SAMPLE VACUUM	Y0 - SV10 SSR5 CONTROL
X1 - FS1 LOW FLOW	Y1 - CH1 CONTROL
X2	Y2 - CH2 CONTROL
X3 - WATER CARRY/SLIP	Y3 - CH3 CONTROL
X4	Y4 - SAMPLE PUMP CONTROL
X5	Y5 - SYSTEM MALFUNCTION
X6 - COLUMN HOLD	
X7 - SYSTEM OFFLINE	

Part Number	Line Voltage
1095E-115	115VAC
1095E-230	230VAC

UNIVERSAL ANALYZERS INC.		Q 03/11/11	Revise Per Sheet 1	MW	RW
5200 Convent Drive Carson City, Nevada 89706 USA		REV DATE	DESCRIPTION	DWN/REV	
1095E (115 VAC) WIRING SCHEMATIC		DATE 02/16/2007	SCALE NTS	SIZE D	SHEET 3 OF 3
PART NO.	FOR	DRAWN BY	ECO#	DRAWING NO.	
SEE TABLE	Instrument	APVD BY	P. Stockwell	755	P1155

8 | 7 | 6 | 5 | 4 | 3 | 2 | 1