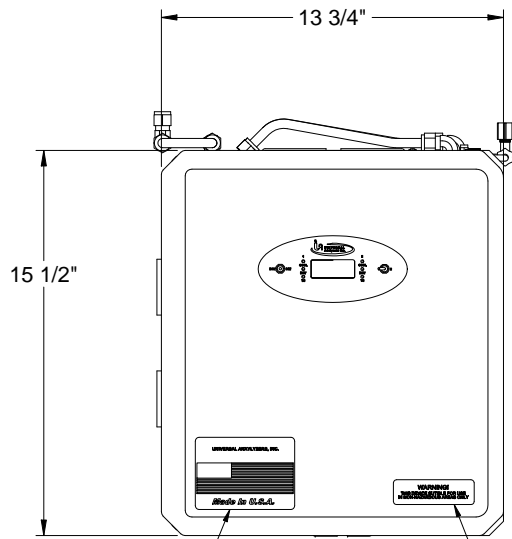


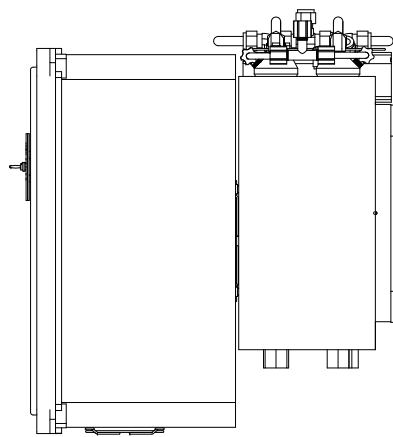
8 | 7 | 6 | 5 | 4 | 3 | 2 | 1



FRONT VIEW

MADE IN USA LABEL
P/N 5001-0028

WARNING LABEL
P/N 5001-0026

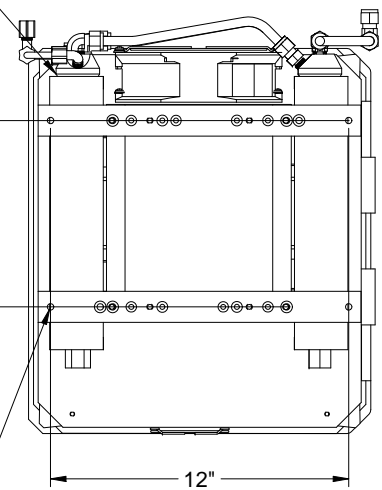


RIGHT SIDE VIEW

10" IMPINGERS
4 TYP

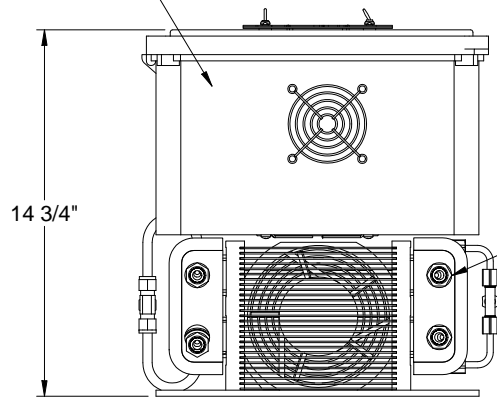
7 1/2"

MOUNTING HOLES FOR
1/4" HARDWARE
4 TYP
(SUPPLIED BY OTHERS)



REAR VIEW

14" X 12" X 8"
FIBERGLASS
ENCLOSURE



BOTTOM VIEW

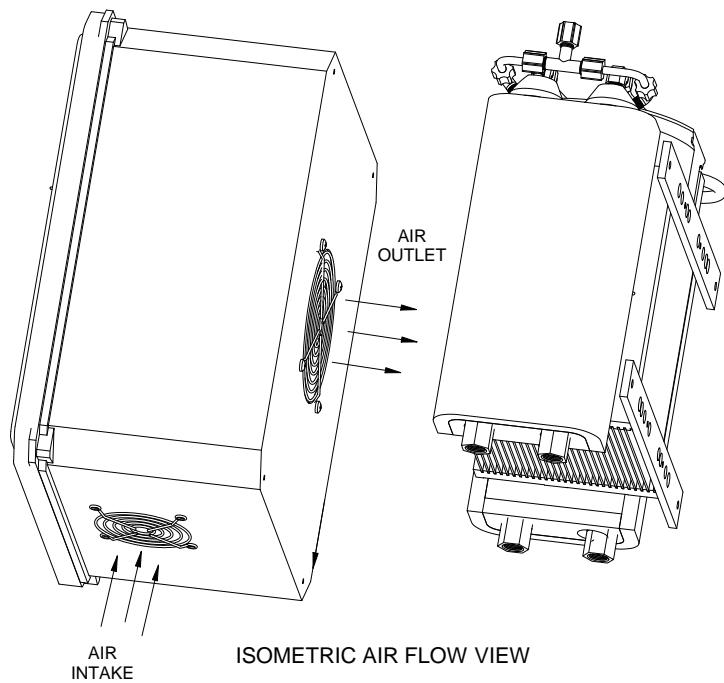
CONDENSATE OUTLETS
3/8" NPTF
4 TYP

NOTES:

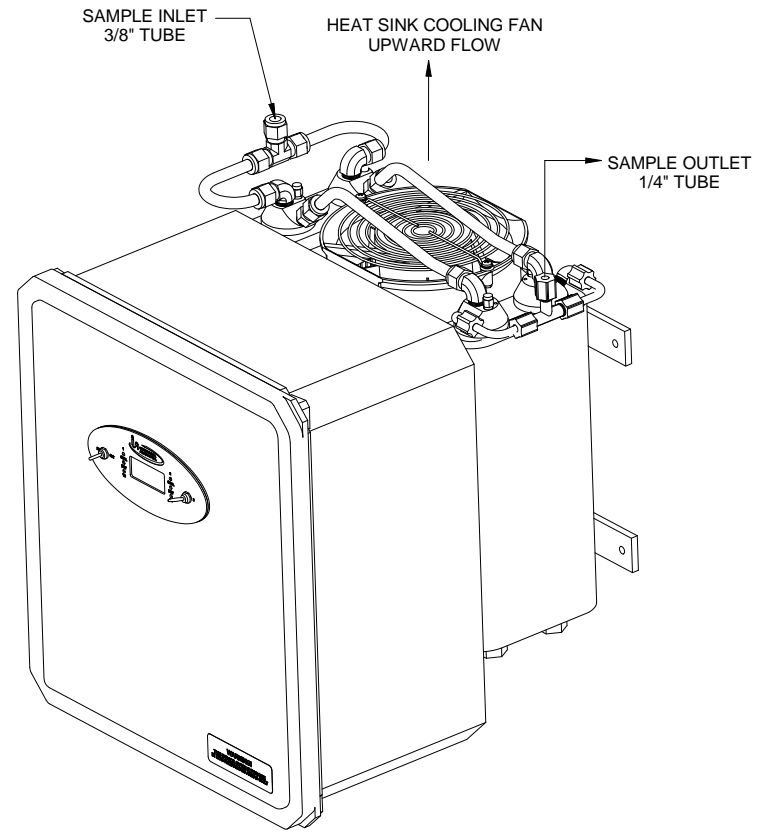
- ARRANGEMENT MAY VARY ACCORDING TO GOOD ENGINEERING AND ASSEMBLY PRACTICES.
- SEE SHEET 3 FOR WIRING SCHEMATIC.

| | | | | | | |
|---|------------|------------|--------------|---------------------|--------------|------|
| UNIVERSAL ANALYZERS INC. | | D | 11/28/11 | Change Power Supply | MW | DA |
| 5200 Convair Drive Carson City, Nevada 89706 USA | | REV | DATE | DESCRIPTION | DWN | APVD |
| MODEL 1490 CHILLER ARRANGEMENT | | REVISIONS | | | | |
| | | DATE | SCALE | SIZE | SHEET | |
| | | 10/14/2004 | NTS | D | 1 OF 3 | |
| PART NO. | FOR | DRAWN BY | E. Musselman | ECO# | DRAWING NO. | |
| NOT ISSUED | INSTRUMENT | APVD BY | T. Barben | 1091 | P0892 | |

8 | 7 | 6 | 5 | 4 | 3 | 2 | 1



ISOMETRIC AIR FLOW VIEW



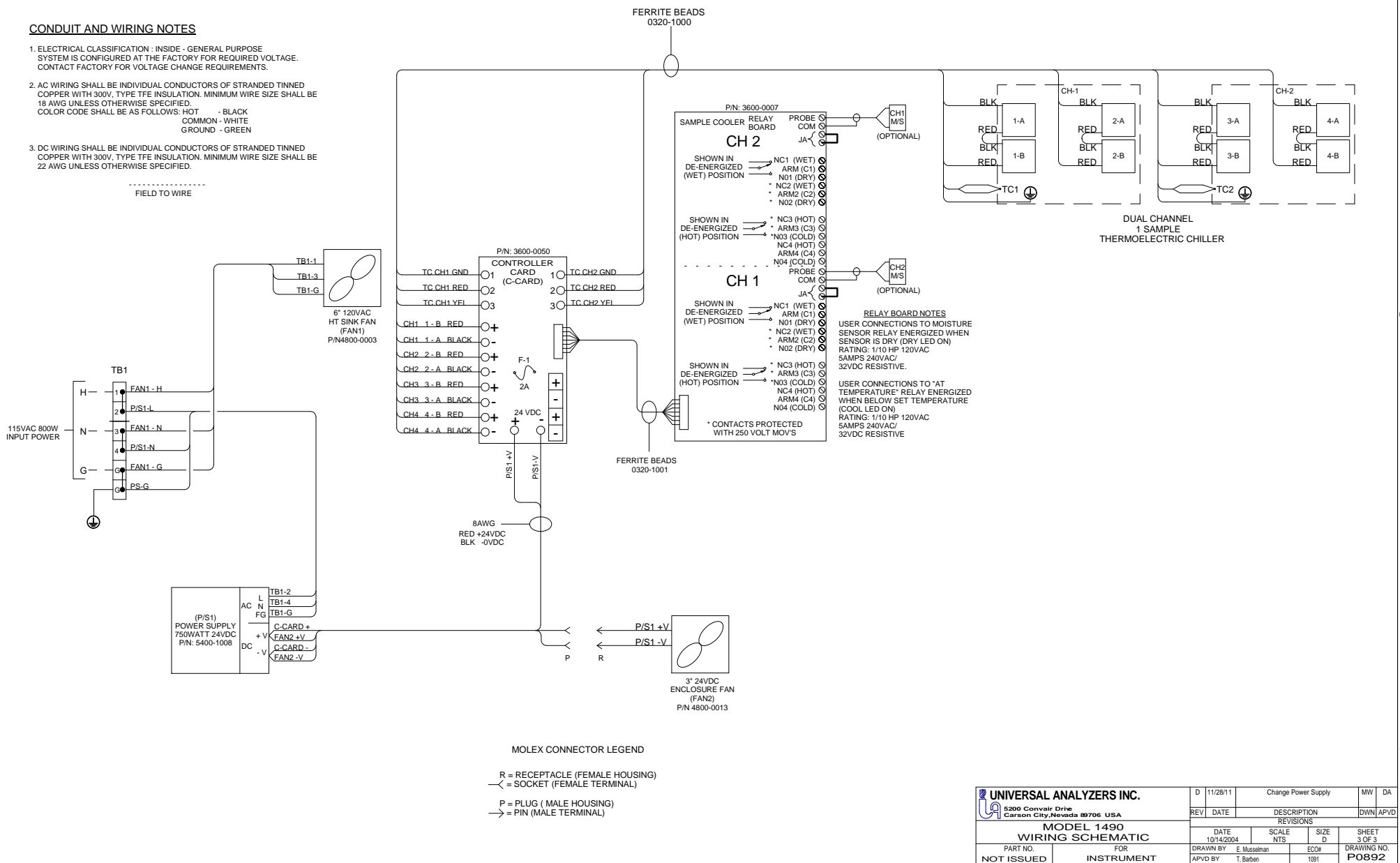
ISOMETRIC TOP VIEW

| | | | | | |
|---|--|------------|---------------------|-------------|--------------|
| UNIVERSAL ANALYZERS INC. | | D 11/28/11 | Change Power Supply | MW | DA |
| 5200 Convair Drive Carson City, Nevada 89706 USA | | REV | DATE | DESCRIPTION | DWN APVD |
| REVISIONS | | | | | |
| DATE | | SCALE | SIZE | SHEET | |
| 10/14/2004 | | NTS | D | 2 OF 3 | |
| PART NO. | | | FOR | DRAWN BY | E. Musselman |
| NOT ISSUED | | | INSTRUMENT | APVD BY | T. Barben |
| | | | | ECO# | 1091 |
| | | | | DRAWING NO. | P0892 |

CONDUIT AND WIRING NOTES

- ELECTRICAL CLASSIFICATION : INSIDE - GENERAL PURPOSE SYSTEM IS CONFIGURED AT THE FACTORY FOR REQUIRED VOLTAGE. CONTACT FACTORY FOR VOLTAGE CHANGE REQUIREMENTS.
- AC WIRING SHALL BE INDIVIDUAL CONDUCTORS OF STRANDED TINNED COPPER WITH 300V, TYPE TFE INSULATION. MINIMUM WIRE SIZE SHALL BE 18 AWG UNLESS OTHERWISE SPECIFIED. COLOR CODE SHALL BE AS FOLLOWS: HOT - BLACK
COMMON - WHITE
GROUND - GREEN
- DC WIRING SHALL BE INDIVIDUAL CONDUCTORS OF STRANDED TINNED COPPER WITH 300V, TYPE TFE INSULATION. MINIMUM WIRE SIZE SHALL BE 22 AWG UNLESS OTHERWISE SPECIFIED.

FIELD TO WIRE



MOLEX CONNECTOR LEGEND

- R = RECEPTACLE (FEMALE HOUSING)
- ◁ = SOCKET (FEMALE TERMINAL)
- P = PLUG (MALE HOUSING)
- = PIN (MALE TERMINAL)

| | | | | | |
|--|--|--------------------|---------------------|--------------|-------------------|
| UNIVERSAL ANALYZERS INC. 5200 Convair Drive Carson City, Nevada 89706 USA | | D 11/28/11 | Change Power Supply | MW | DA |
| MODEL 1490 WIRING SCHEMATIC | | REV | DATE | DESCRIPTION | DWN/APVD |
| PART NO. NOT ISSUED | | REVISIONS | | SHEET 3 OF 3 | |
| FOR INSTRUMENT | | DATE 10/14/2004 | SCALE NTS | SIZE D | ECON# |
| DRAWN BY E. Musselman | | DRAWN BY T. Barben | | 1091 | DRAWING NO. P0892 |