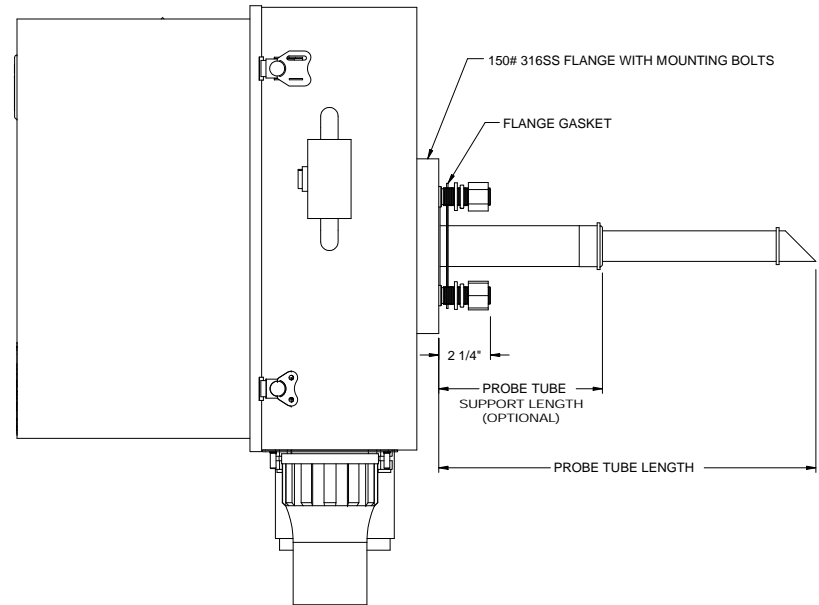
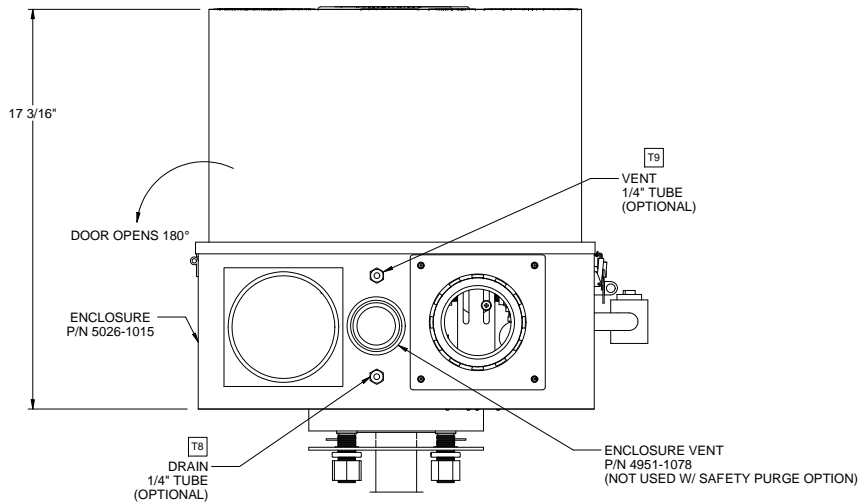


FRONT VIEW
(DOOR REMOVED)





RIGHT SIDE VIEW

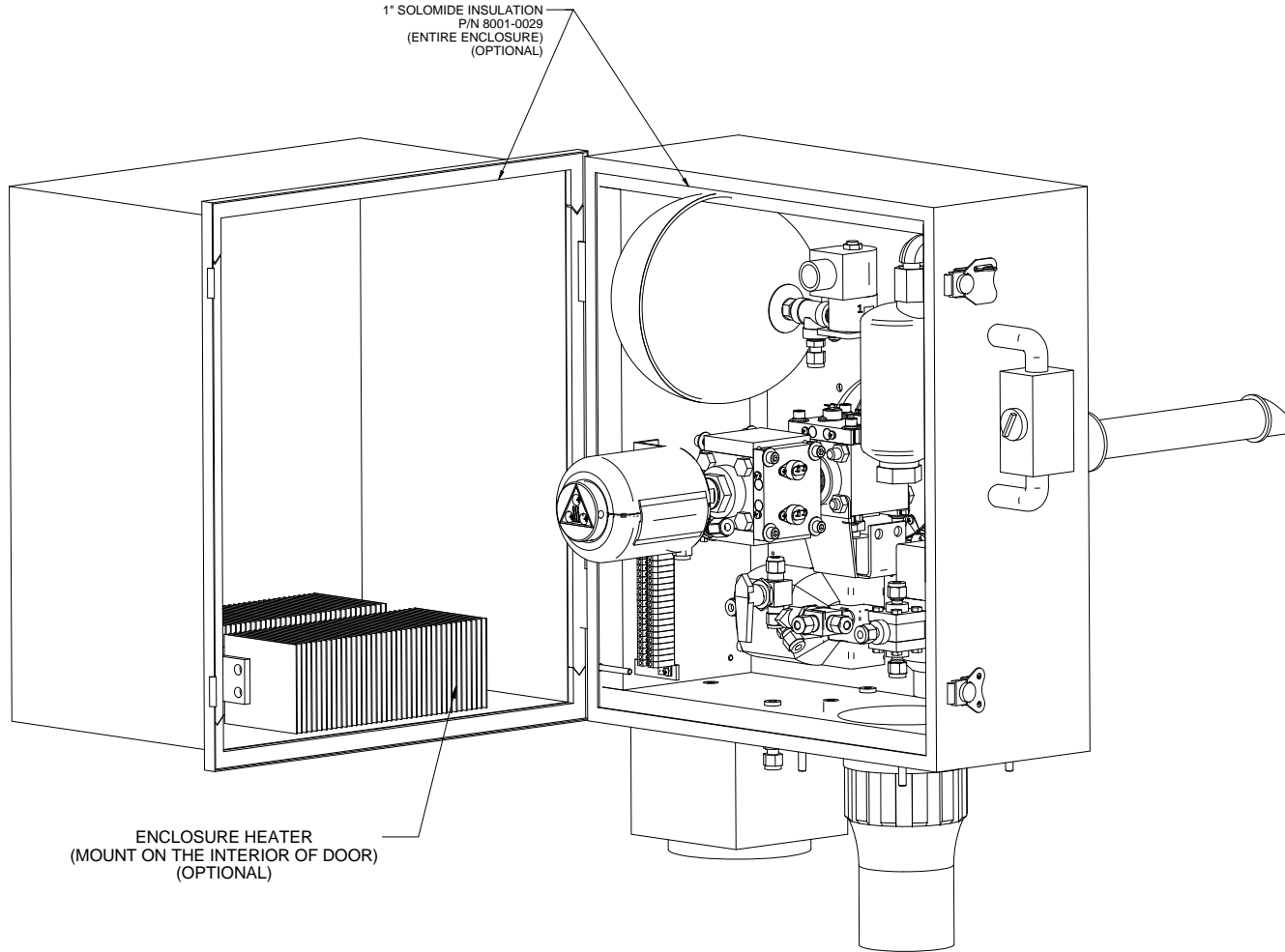


BOTTOM VIEW

NOTES:

- 1). ARRANGEMENT MAY VARY ACCORDING TO GOOD ENGINEERING AND ASSEMBLY PRACTICES.
- 2). ENCLOSURE RATING NEMA 4X.
- 3). SEE SHEETS 1 THRU 3 FOR LAYOUT
SEE SHEETS 4 & 7 FOR COMMON SUBASSEMBLIES.
SEE SHEETS 8 THRU 10 FOR TRIPLE O-RING SUBFLANGE SUBASSEMBLIES.
SEE SHEETS 11 THRU 13 FOR RETRACTABLE PROBE TUBE SUPPORT SUBASSEMBLIES.
SEE SHEET 14 FOR P&ID.
SEE SHEET 15 & 16 FOR WIRING DIAGRAMS.
SEE SHEET 17 FOR TAG LIST.

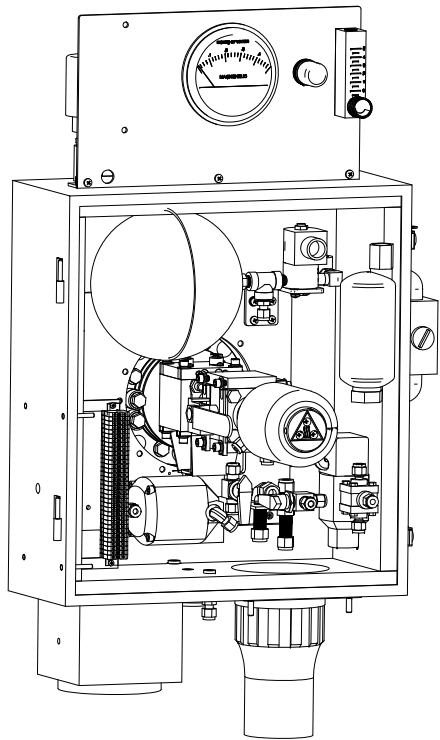
5200 Convent Drive Carson City, NV 89706 PH(775)883-2500 FAX (775)883-6388		B	07/09/14	Revision Update	MW	EG
 		REV	DATE	DESCRIPTION	DWN APVD	
		REVISIONS				SIZE
270F		DATE	SCALE	NTS	SIZE	D
LAYOUT & DIMENSIONS		09/26/2013				1 OF 17
PART NO.	FOR	DRAWN BY	M. Walter	EC0#	DRAWING NO.	
-	-	APVD BY	E. Gardner	2107	P2016	



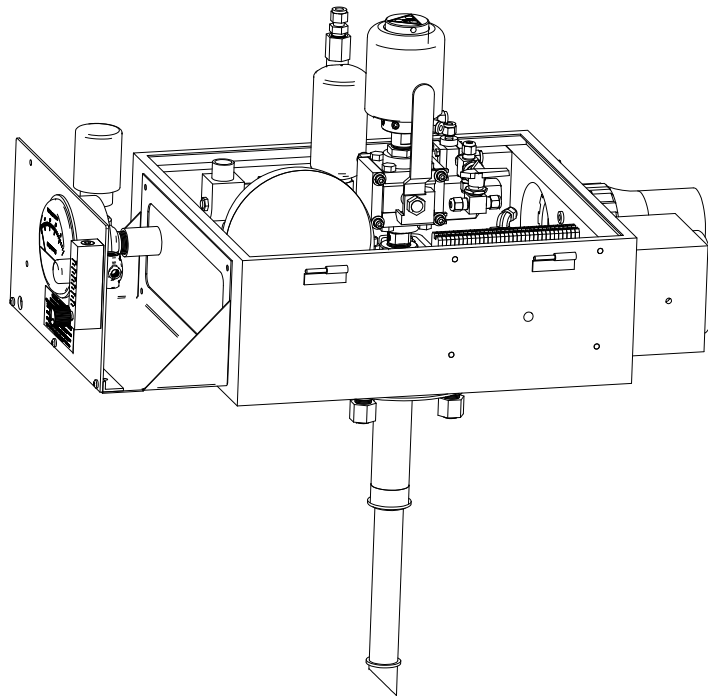
ENCLOSURE HEATER
(MOUNT ON THE INTERIOR OF DOOR)
(OPTIONAL)

ISOMETRIC VIEW
(DOOR OPEN)

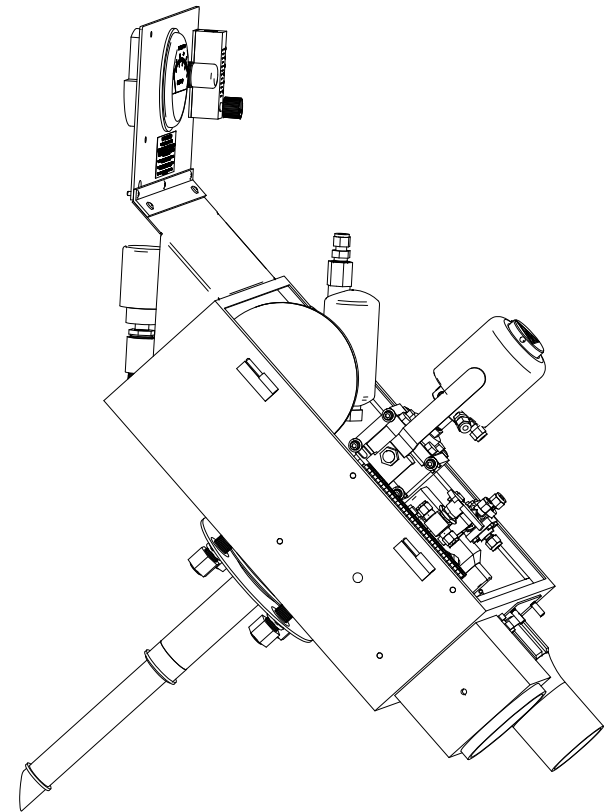
5200 Convent Drive Carson City, NV 89706 PH(775)883-2500 FAX (775)883-6388		Revision Update		MW	EG
UNIVERSAL AMETEK		DESCRIPTION		DWN/APVD	
REVISIONS					
270F HEATER DETAILS		DATE	SCALE	SIZE	SHEET
PART NO.		09/26/2013	NTS	D	2 OF 17
FOR		DRAWN BY M. Walter		ECO#	DRAWING NO.
-		APVD BY E. Gardner		2107	P2016



VERTICAL INSTALLATION VIEW
WITH Z-PURGE
(DOOR REMOVED)
(0° MOUNTING OPTION)

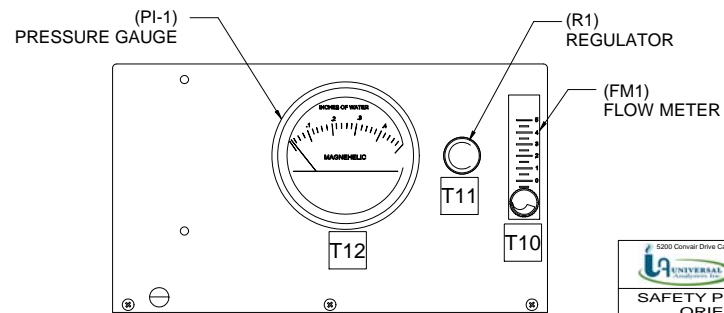


HORIZONTAL INSTALLATION VIEW
WITH Z-PURGE
(DOOR REMOVED)
(90° MOUNTING OPTION)



INSTALLATION VIEW (45° MOUNTING)
WITH Z-PURGE
(DOOR REMOVED)
(45° MOUNTING OPTION)

Z-PURGE FLOW CONTROL PANEL

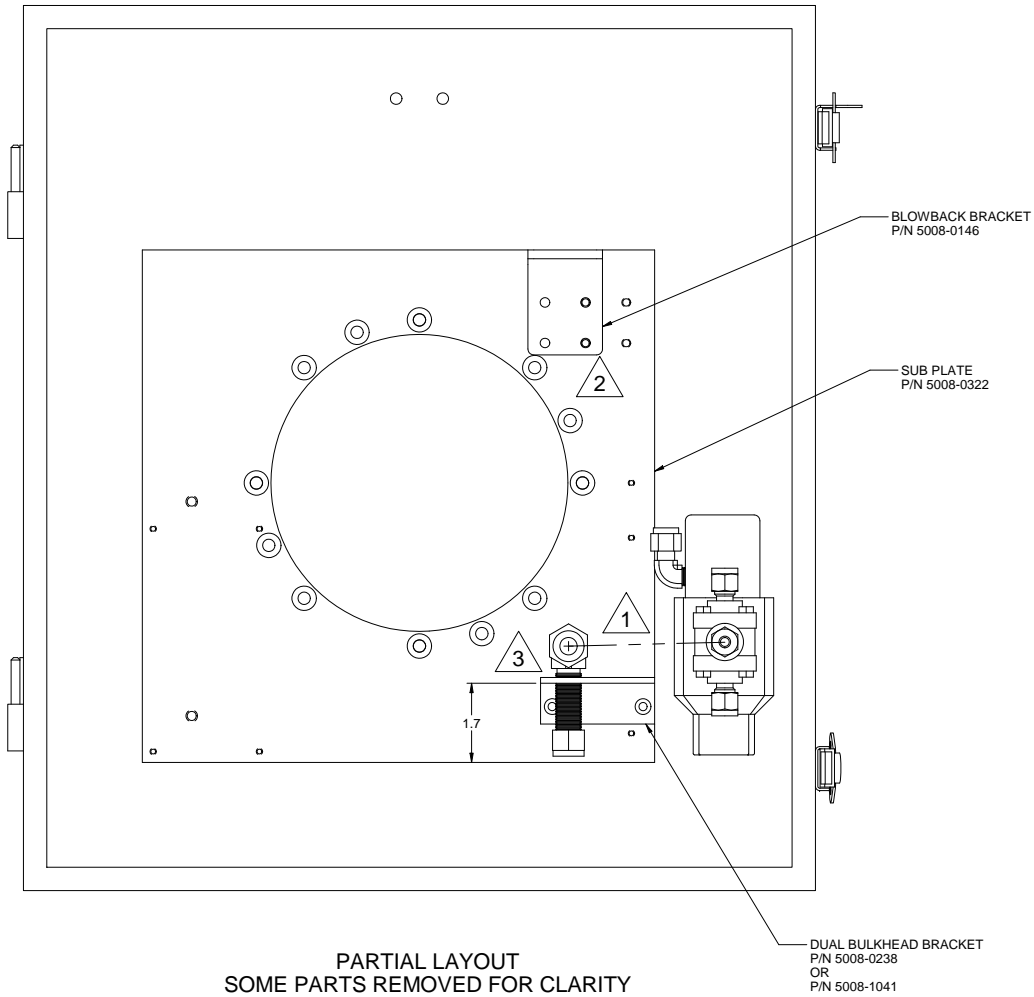


FRONT VIEW

NOTES:

- 1). SAFETY PURGE IS OPTIONAL.
- 2). SAFETY PURGE NOT REQUIRED FOR HAZARDOUS AREA CERTIFICATION.

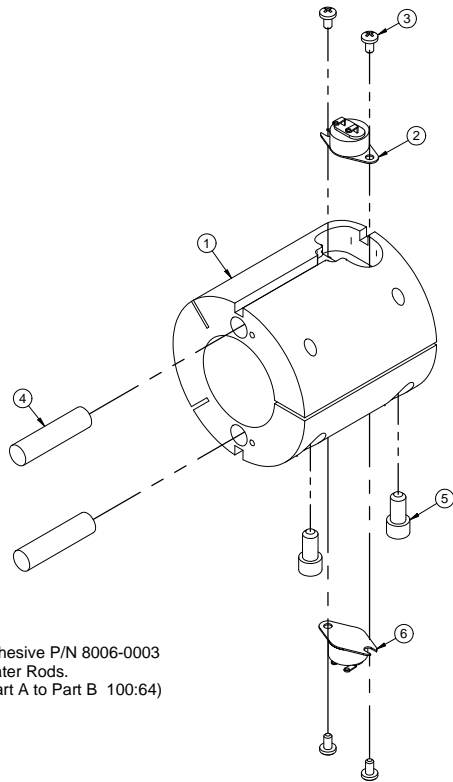
		B	07/09/14	Revision Update	MW	EG
REV	DATE	DESCRIPTION		DWN/APVD		
REVISIONS						
DATE	SCALE	SIZE	SHEET			
09/26/2013	NTS	D	3 OF 17			
DRAWN BY	M. Walter	ECR#	DRAWING NO.			
APVD BY	E. Gardner	2107	P2016			
PART NO.	FOR					



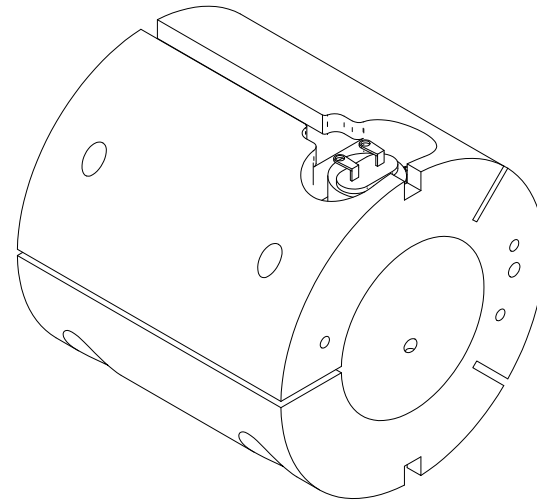
NOTES:

- 1 COMMON PORT OF 3-WAY CALIBRATION VALVE SHOULD LINE UP WITH ELBOW BULKHEAD.
- 2 USE TWO PREDRILLED HOLES FOR BLOWBACK BRACKET TO LINE UP TWO NEW HOLES.
- 3 ELBOW BULKHEAD IS PART OF DRAIN PATH FOR UNITS WITH LIQUID STOP, AND IS SAMPLE OUT FOR UNITS WITHOUT LIQUID STOP.

		B	07/09/14	Revision Update	MW	EG	
REV	DATE	DESCRIPTION				DWN	APVD
REVISIONS							
DATE	SCALE	SIZE	SHEET				
09/26/2013	NTS	D	4 OF 17				
DRAWN BY	FOR	ECD#	DRAWING NO.				
M. Walter	-	2107	P2016				
APVD BY	E. Gardner						





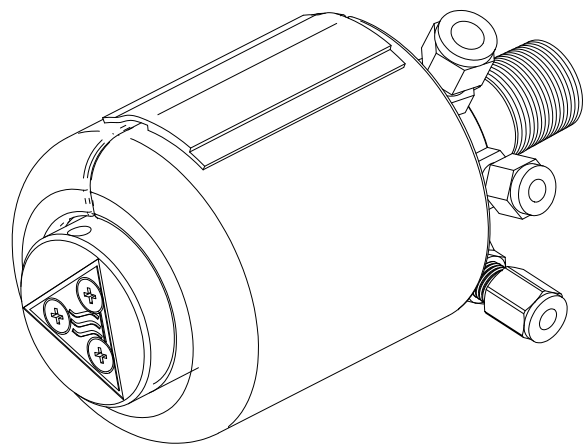
Note: Use Epoxy Adhesive P/N 8006-0003
To Retain Heater Rods.
(Mix Ratio: Part A to Part B 100:64)



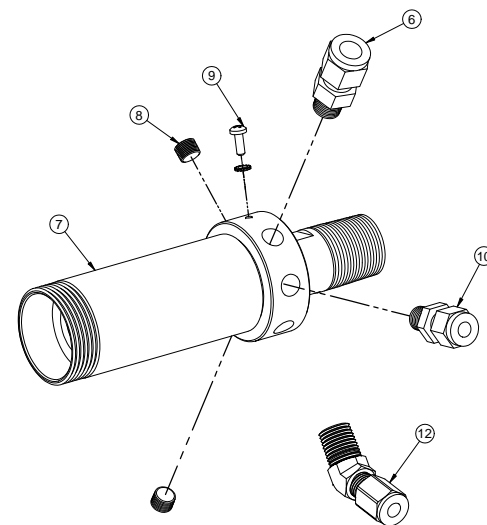
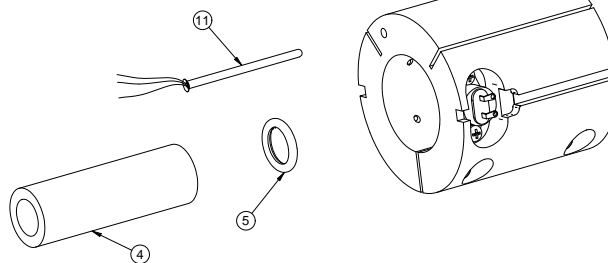
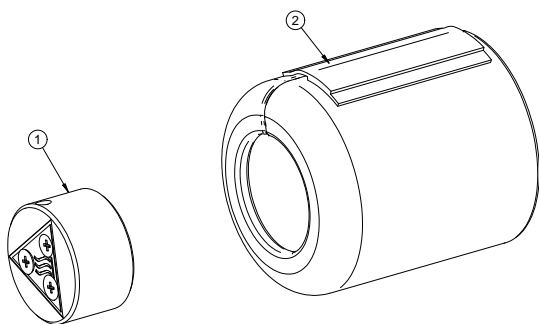
Assembled View

ITEM	QTY	DWG NO.	PART NO.	DESCRIPTION
6	1		See Wiring Schematic	Low Temp Switch
5	2		-	#1/4-20 x 5/8" SHCS
4	2		See Wiring Schematic	Heater Rod
3	4		-	#6-32 x 1/4" PH Screw
2	1		See Wiring Schematic	Oven Temp Control Switch
1	1	M0836	5110-0176	Heater Tube

 		B	07/09/14	Revision Update	MW	EG
REV	DATE	DESCRIPTION		DWN/APVD		
REVISIONS						
HEATER TUBE ASSEMBLY						
DATE	SCALE	NTS	SIZE	SHEET		
09/26/2013			D	5 OF 17		
DRAWN BY	FOR		EOD#	DRAWING NO.		
M. Walter				P2016		
APVD BY			2107			



COMPLETE ASSEMBLY

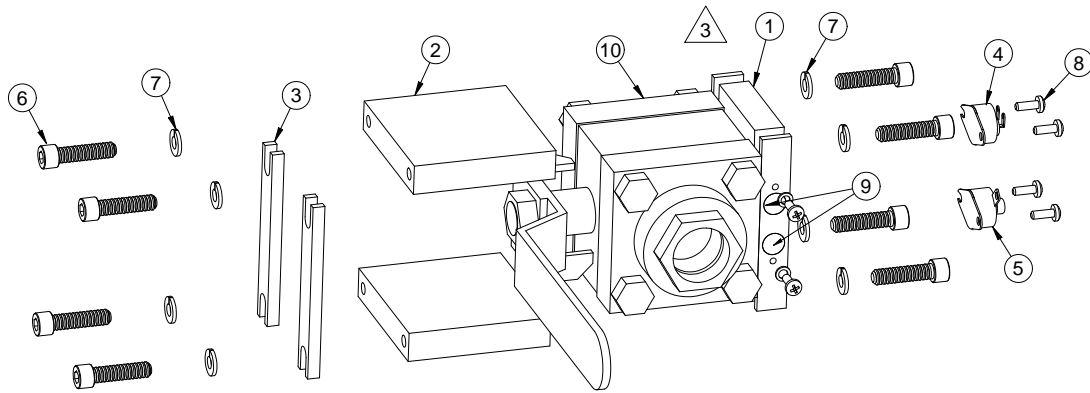


EXPLODED VIEW

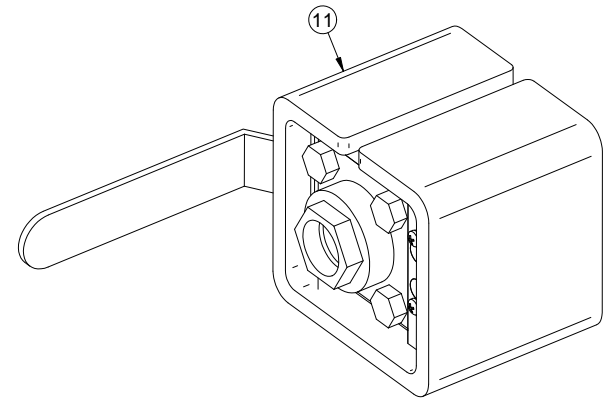
PARTS TABLE

Item	Qty	DWG. #	Part #	Description
12	1	-	4954-0096-SN	Elbow 45° 1/8" MNPT x 1/4" Tube (Optional)
11	1	-	See Wiring Schematic	Temperature Sensor (Optional)
10	2	-	4954-0005-SN	Fitting 1/4" Tube x 1/8" MNPT- SN
9	1	-	-	#6-32 x 3/8 PH Screw w/ Ext. Star Washer
8	3	-	4951-0039-SN	1/8" NPT Plug, SN
7	1	-	5150-0096-SN	Chamber Assembly
6	1	-	4954-0025-SN	Fitting, 3/8" T x 1/8" NPT, SN
5	1	-	4904-2002	Kalrez (Filter Element) #2-208
4	1	M0060	4980-0007	Filter Element, 2 Micron Ceramic
3	1	-	-	Heater Tube Assembly
2	1	V0234	5150-1041	Silicone Insulation Blanket
1	1	A0152	5209-0103-SN	Cap Assembly

		B	07/09/14	Revision Update	MW	EG
270F FILTER CHAMBER ASSEMBLY		REV	DATE	DESCRIPTION	DWN/APVD	
PART NO. - FOR -		DATE: 09/26/2013		REVISIONS:	SCALE: NTS	SIZE: D
DRAWN BY: M. Walter		EC0# 2107		SHEET 6 OF 17		DRAWING NO. P2016
APVD BY: E. Gardner		2107		6 OF 17		P2016



EXPLODED VIEW



COMPLETE ASSEMBLY



Item	Qty	Part No.	DWG	Description
1	1	5110-0257	M1226	Oven Wall Side Temp. Switch Mount & Heater Wells
2	2	5110-0258	M1227	Oven Wall Top & Bottom
3	2	5110-0259	M1228	Oven Base Clamps
4	1	See Wiring Schematic	-	Switch Oven Control TS2,TS3
5	1	See Wiring Schematic	-	Switch Oven Under Alarm Temp TS5, TS6
6	8	4704-0170	-	1/4-20 x 1" Socket Head
7	8	4710-0019	-	1/4-20 Lock Washer
8	4	4704-0001	-	6-32 x 1/4" Panhead Phillips
9	2	See Wiring Schematic	-	Heater Rods, 1.5" HTR 3,4,5, & 6 \triangle 2
10	1	See P&ID	-	Ball Valve
11	1	5150-1076	-	Insulation Jacket

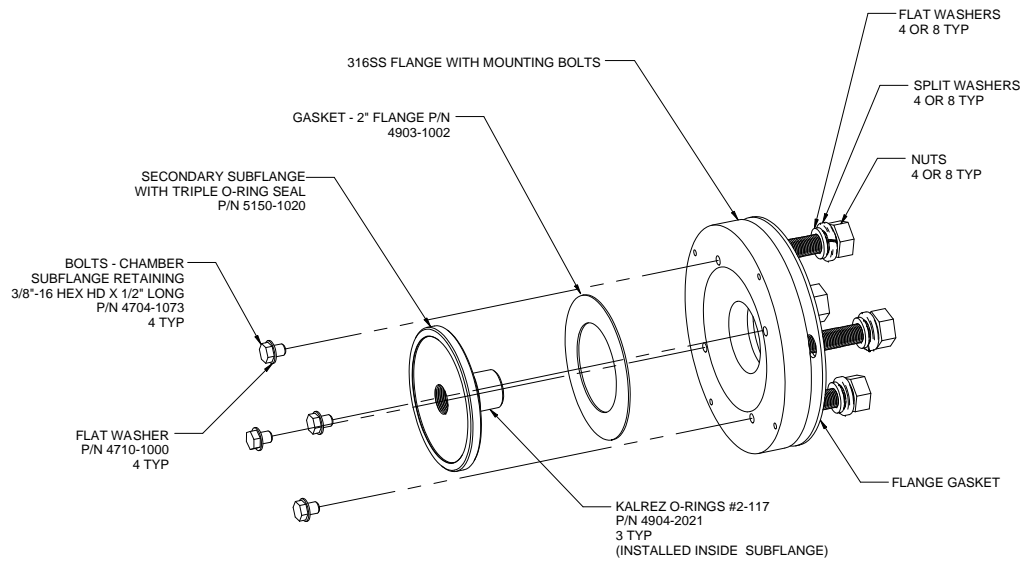
NOTES:

1. ONE OR TWO VALVE ASSEMBLIES PER UNIT. (DEPENDING ON NUMBER OF FILTER ISOLATION VALVES)

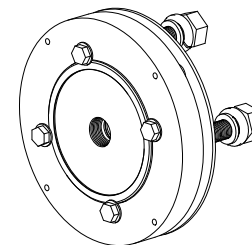
\triangle 2 HEATER RODS ARE EPOXIED IN PLACE.

\triangle 3 ASSEMBLE ITEMS ① & ② SO THEY ARE TIGHT AGAINST ONE ANOTHER.



 		B	07/09/14	Revision Update	MW	EG
270F HEATED ISOLATION VALVE ASSEMBLY		REV	DATE	DESCRIPTION	DWN APVD	
		DATE		SCALE	SIZE	SHEET
		09/26/2013		NTS	D	7 OF 17
DRAWN BY		FOR		ECO#	DRAWING NO.	
M. Walter		-		2107	P2016	
APVD BY		E. Gardner				

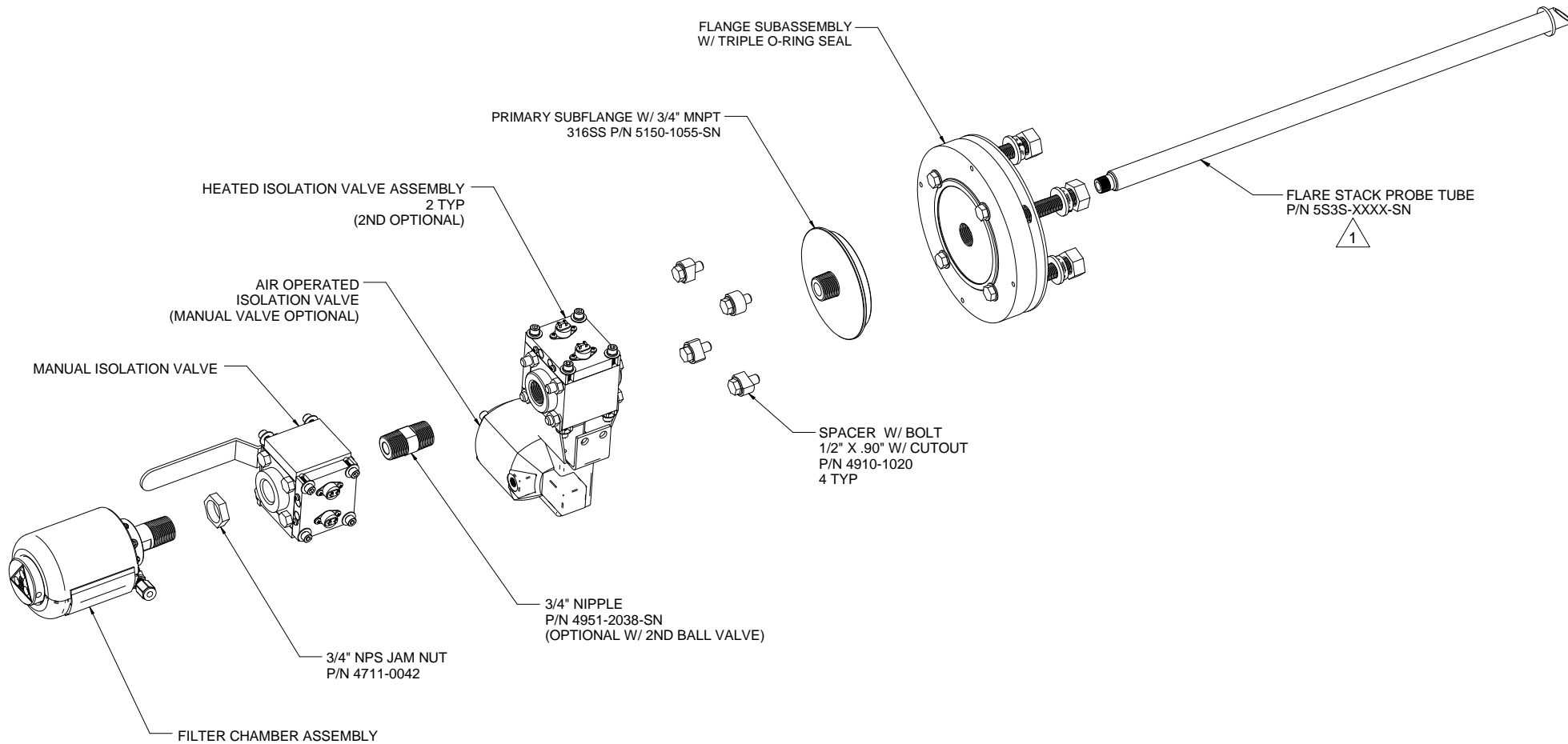


FLANGE ASSEMBLY EXPLODED VIEW



COMPLETE ASSEMBLY

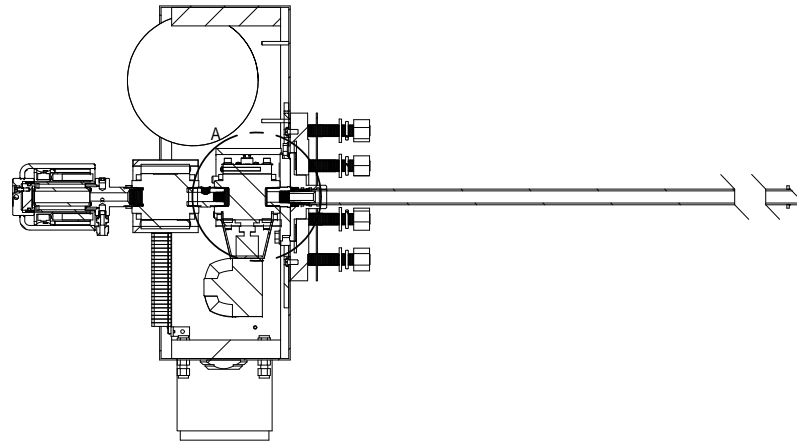
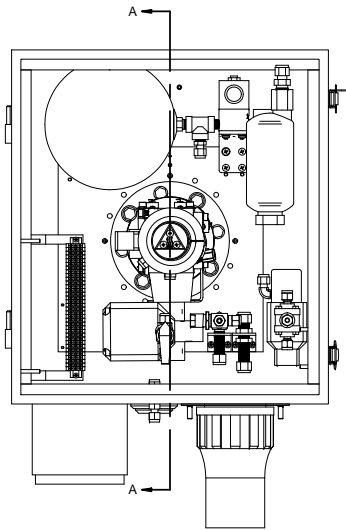
 		B	07/09/14	Revision Update	MW	EG
270F TRIPLE O-RING SUBFLANGE ASSEMBLY		REV	DATE	DESCRIPTION	DWN APVD	
		REVISIONS				
DATE	SCALE	NTS	SIZE	D	SHEET	
09/26/2013					8 OF 17	
DRAWN BY	M. Walter	FOR		ECD#	DRAWING NO.	
APVD BY	E. Gardner			2107	P2016	



NOTES:

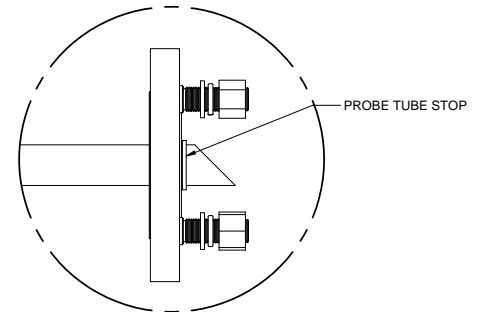
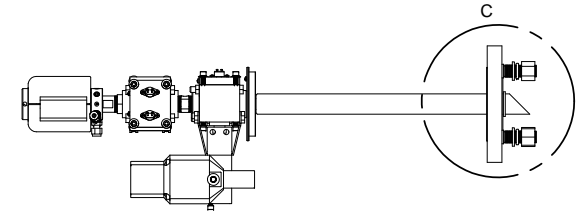
1 BUILDER TO VERIFY FULL RANGE OF MOVEMENT OF PROBE TUBE THROUGH SUBFLANGE.

		B	07/09/14	Revision Update	MW	EG
REV	DATE	DESCRIPTION		DWN/APVD		
REVISIONS						
270F TRIPLE O-RING FILTER LINE SUBASSEMBLY		DATE	SCALE	SIZE	SHEET	
		09/26/2013	NTS	D	9 OF 17	
PART NO.	FOR	DRAWN BY	ECN#	DRAWING NO.		
-	-	M. Walter		P2016		
		APVD BY	2107			
		E. Gardner				

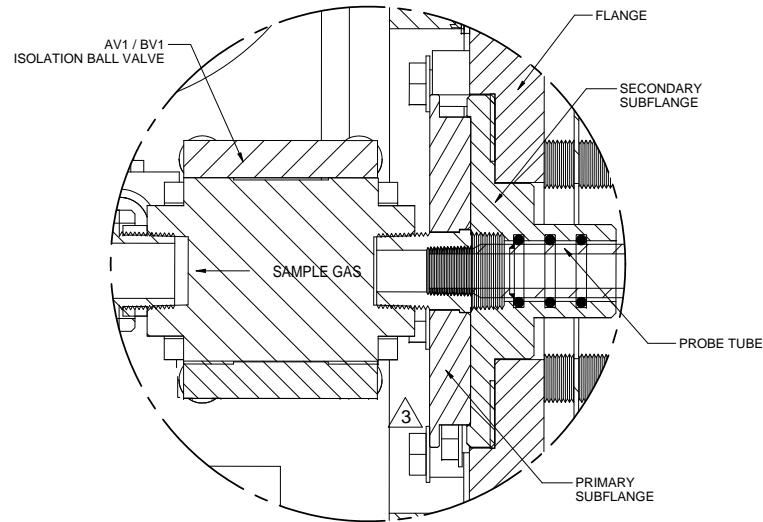


SECTION A-A

PROBE TUBE RETRACTED



DETAIL C



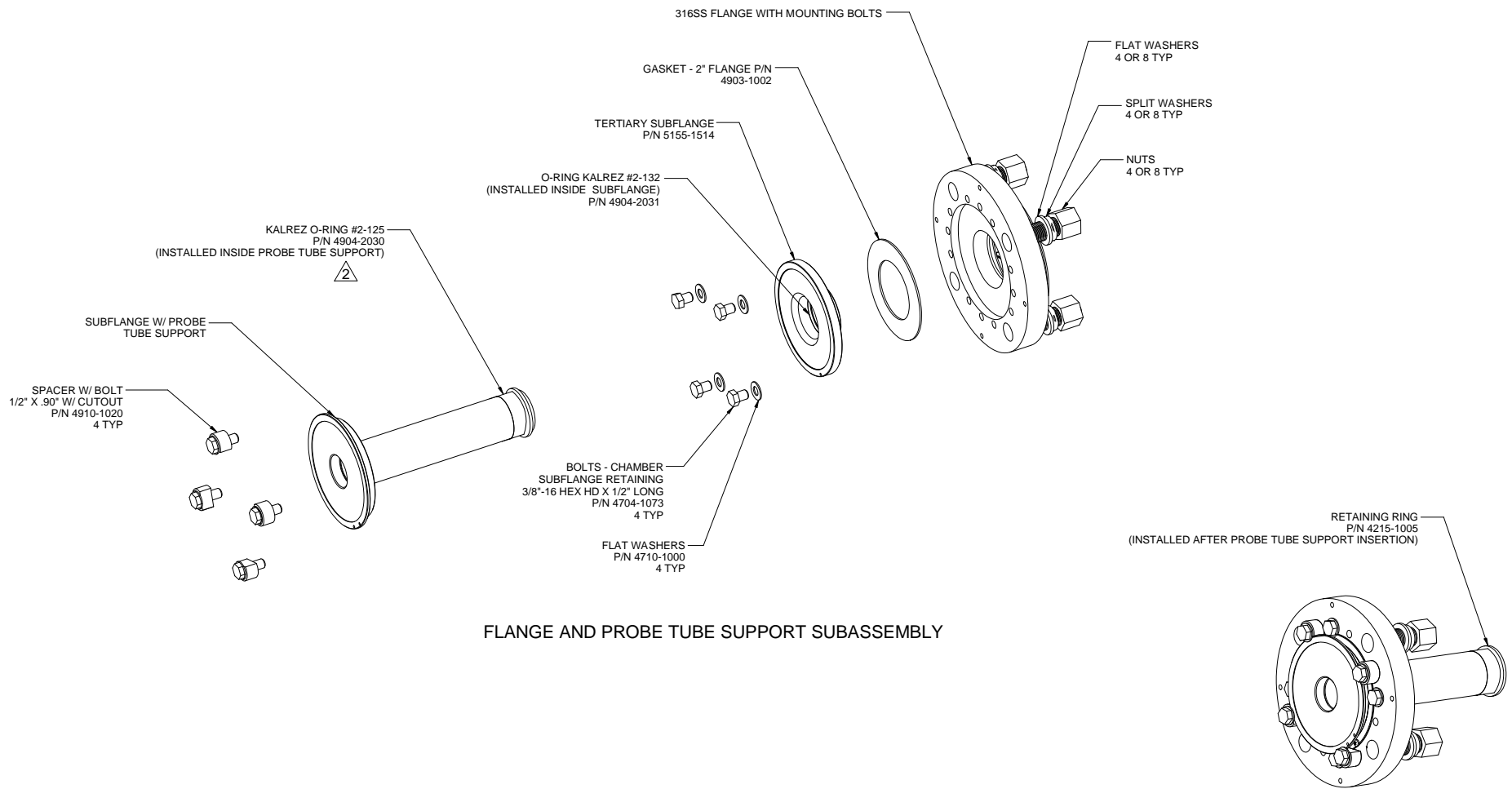
DETAIL B
PROBE TUBE COLLAR ASSEMBLY

RETRACTION NOTE:

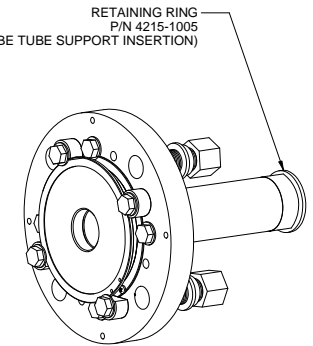
TO REMOVE PROBE TUBE FROM ACTIVE SERVICE:

- 1). CLOSE ISOLATION BALL VALVES AV1/BV1 & BV2.
- 2). DISCONNECT PNEUMATIC & ELECTRICAL CONNECTIONS TO HEATED FILTER CHAMBER & ISOLATION BALL VALVE ASSEMBLY.
- 3). REMOVE 4 BOLTS HOLDING PRIMARY SUBFLANGE TO SECONDARY SUBFLANGE. USE 9/16 SOCKET TO REMOVE BOLTS. BOLTS ARE MARKED WITH $\frac{3}{32}$ ON DRAWING & ARE ON TOP OF THE PRIMARY SUBFLANGE VICE PARTIALLY COVERED BY PRIMARY SUBFLANGE.
- 4). FULLY RETRACT PROBE TUBE TO PROBE STOP.
- 5). CLOSE CUSTOMER SUPPLIED PROCESS ISOLATION VALVE.
- 6). REMOVE REMAINING 4 SUBFLANGE BOLTS TO SEPARATE SECONDARY SUBFLANGE FROM FLANGE.

		B	07/09/14	Revision Update	MW	EG
REV	DATE	DESCRIPTION		REVISIONS		
	DATE	SCALE	SIZE	SHEET		
	09/26/2013	NTS	D	10 OF 17		
DRAWN BY	M. Walter	ECR#	DRAWING NO.		P2016	
APVD BY	E. Gardner	2107				



FLANGE AND PROBE TUBE SUPPORT SUBASSEMBLY



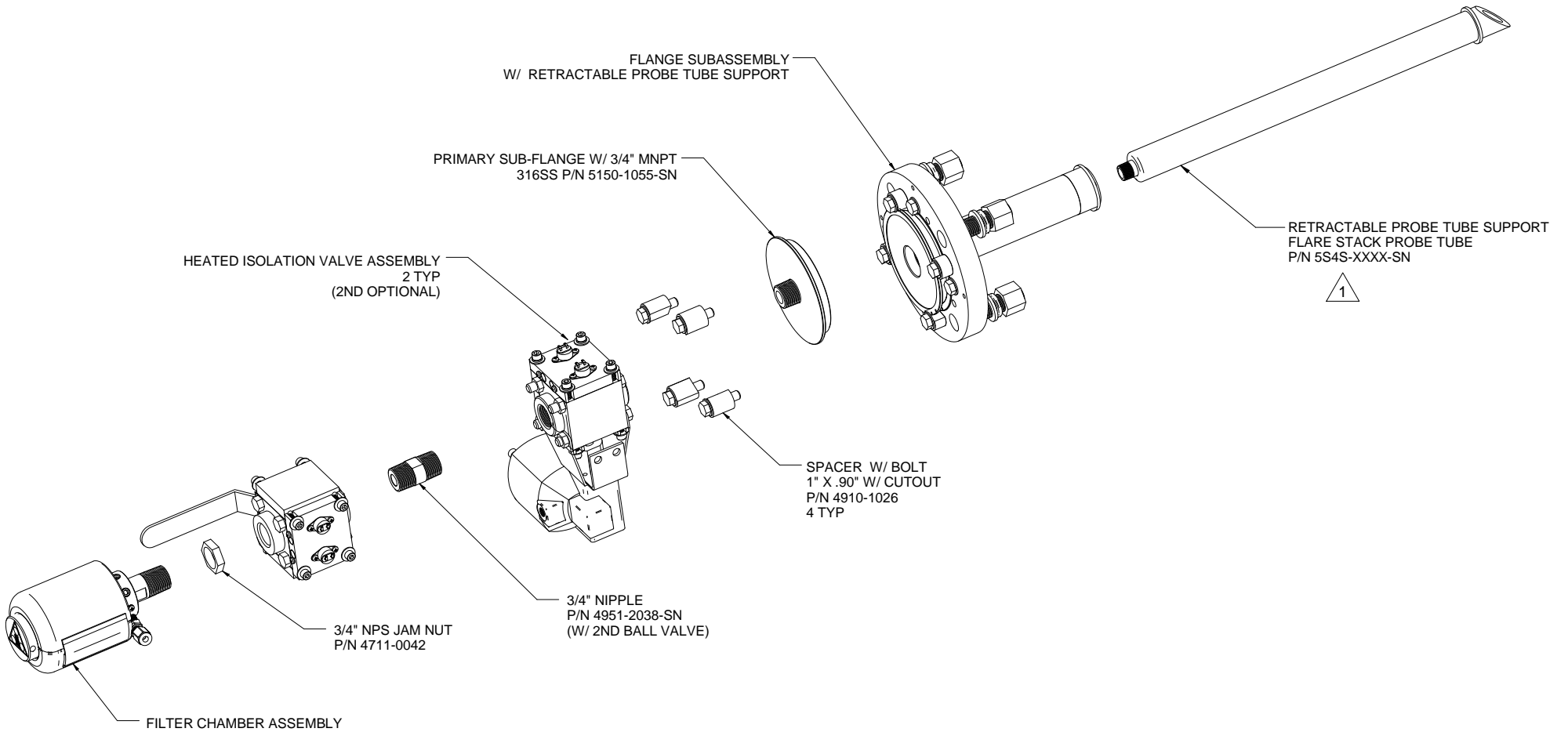
COMPLETE SUB-ASSEMBLY

NOTES:

- 1). 1/2" LONG BOLTS USE CENTER HOLE OF EACH SUBFLANGE BOLT HOLE CLUSTER.
- 1/2" SPACERS USE COUNTER CLOCKWISE HOLE OF EACH SUBFLANGE BOLT HOLE CLUSTER.

BUILDER TO VERIFY FULL RANGE OF MOTION OF PROBE TUBE SUPPORT THROUGH TERTIARY SUBFLANGE.

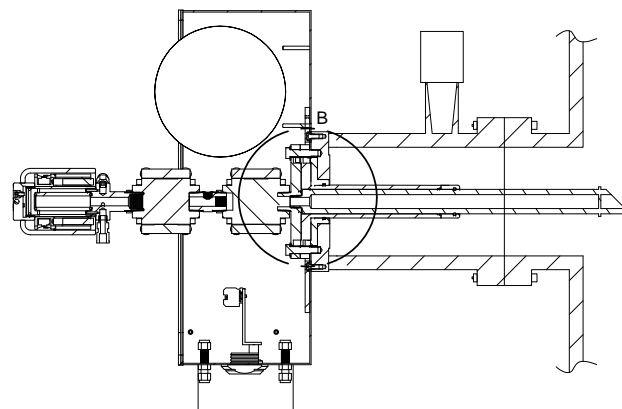
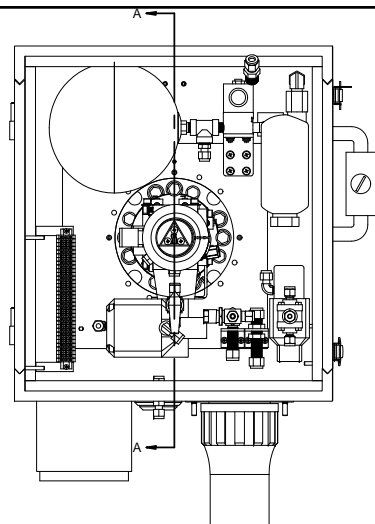
		B	07/09/14	Revision Update	MW	EG
RETRACTABLE PROBE TUBE SUPPORT SUBFLANGE ASSEMBLY		REV	DATE	DESCRIPTION	DWN/APVD	
270F FOR		DATE		SCALE	SIZE	SHEET
PART NO.		09/26/2013		NTS	D	11 OF 17
DRAWN BY: M. Walter		APVD BY: E. Gardner		EOC#	DRAWING NO.	
-		-		2107	P2016	



NOTES:

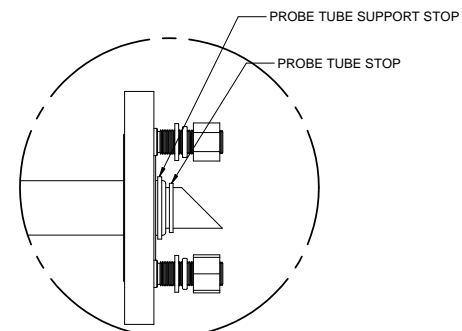
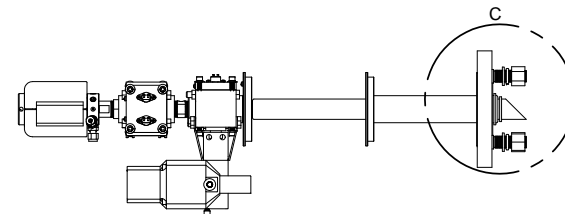
1 BUILDER TO VERIFY FULL RANGE OF MOVEMENT OF PROBE TUBE THROUGH PROBE TUBE SUPPORT.

		B	07/09/14	Revision Update	MW	EG
270F RETRACTABLE PROBE TUBE SUPPORT FILTER LINE SUB-ASSEMBLY		REV	DATE	DESCRIPTION	DWN/ APVD	
PART NO.		DATE		REVISIONS	SCALE	SHEET
FOR		09/26/2013			NTS	12 OF 17
DRAWN BY: M. Walzer		APVD BY: E. Gardner		ECO#	2107	DRAWING NO. P2016

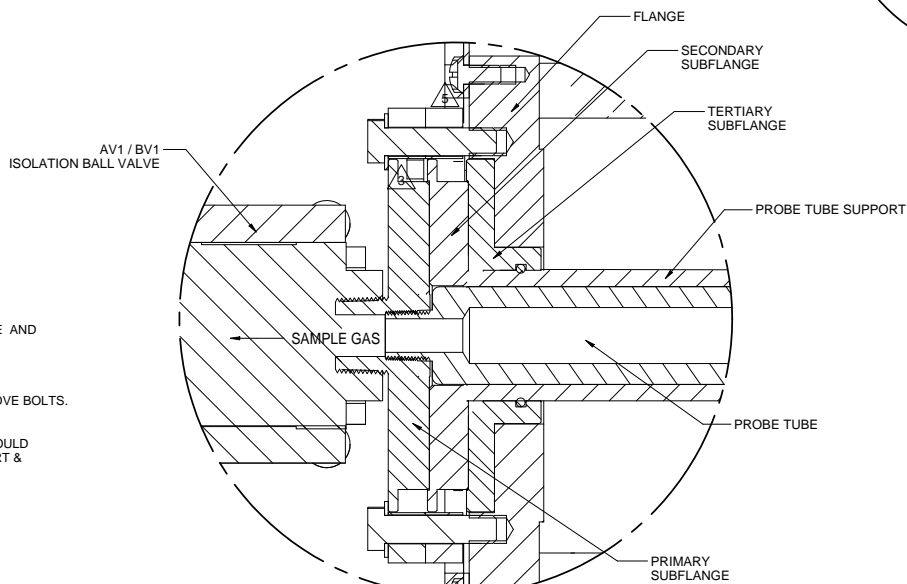


SECTION A-A

PROBE TUBE RETRACTED



DETAIL C



DETAIL B
PROBE TUBE SUPPORT ASSEMBLY

NOTES:

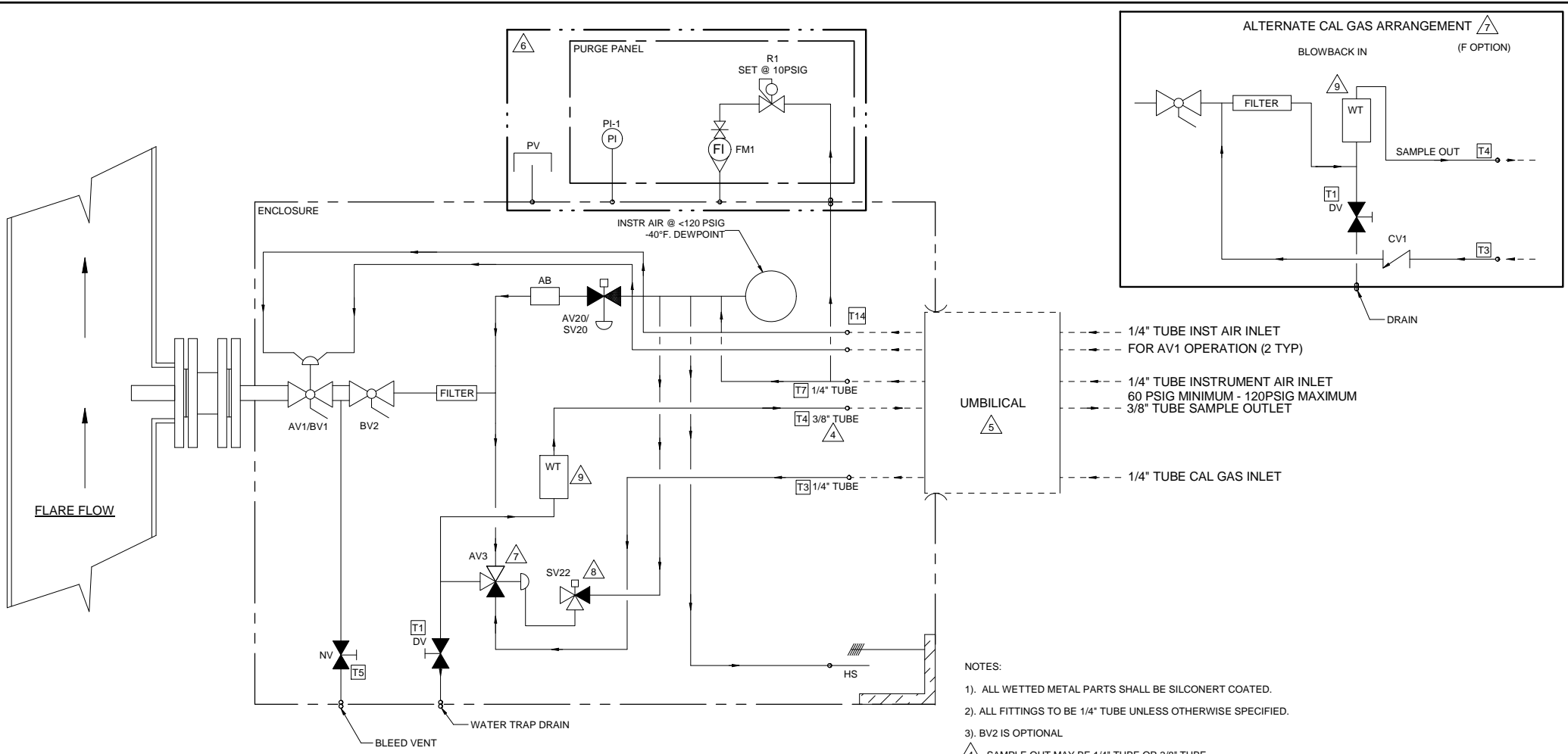
TO REMOVE PROBE TUBE FROM ACTIVE SERVICE:

- 1). CLOSE ISOLATION BALL VALVES (AV1/BV1 & BV2).
- 2). DISCONNECT GAS & ELECTRICAL CONNECTIONS TO HEATED FILTER CHAMBER & ISOLATION BALL VALVE ASSEMBLY.
- 3) REMOVE 4 BOLTS HOLDING PRIMARY SUBFLANGE TO SECONDARY SUBFLANGE. USE 9/16 SOCKET TO REMOVE BOLTS. BOLTS ARE THOSE WHOSE HEADS ARE FURTHEST FROM THE FLANGE AND ARE NOT PARTIALLY COVERED.
- 4). FULLY RETRACT PROBE TUBE TO PROBE STOP.
- 5) REMOVE 4 BOLTS HOLDING SECONDARY SUBFLANGE TO TERTIARY SUBFLANGE. USE 9/16" SOCKET TO REMOVE BOLTS. BOLTS ARE THOSE WHOSE HEADS ARE FURTHEST FROM THE FLANGE & ARE NOT PARTIALLY COVERED.
- 6). RETRACT PROBE TUBE & PROBE TUBE SUPPORT TO EXTENT ALLOWED BY STOP PROBE TUBE SUPPORT SHOULD NOT BE RETRACTED FURTHER THAN ITS LENGTH TO AVOID BREAKING SEAL BETWEEN PROBE TUBE SUPPORT & TERTIARY SUBFLANGE.
- 7). CLOSE CUSTOMER SUPPLIED PROCESS ISOLATION VALVE.
- 8). REMOVE PROBE ASSEMBLY FROM FLANGE.

9). TO INSTALL PROBE ASSEMBLY:

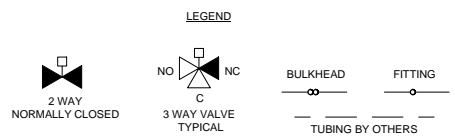
- A). INSTALL PROBE ASSEMBLY INTO FLANGE.
- B). OPEN CUSTOMER ISOLATION VALVE & FULLY INSERT SUBFLANGE W/ PROBE TUBE SUPPORT. SECURE SUBFLANGE TO FLANGE USING 1/2" SPACER W/ BOLT.
- C). FULLY INSERT PROBE TUBE INTO PROBE TUBE SUPPORT. SECURE FILTER ASSEMBLY SUBFLANGE TO FLANGE USING 1" SPACER W/ BOLT.
- D). CONNECT GAS & ELECTRICAL CONNECTIONS TO HEATED FILTER & ISOLATION BALL VALVE ASSEMBLY.
- E). OPEN ISOLATION VALVE (AV1/BV1 & BV2).

		B	07/09/14	Revision Update	MW	EG
REV	DATE	DESCRIPTION		DWN APVD		
		REVISIONS				
270F		DATE	SCALE	SIZE	SHEET	
RETRACTABLE PROBE TUBE SUPPORT		09/26/2013	NTS	D	13 OF 17	
SUBFLANGE ASSEMBLY DETAILS		DRAWN BY	EC0#	DRAWING NO.		
PART NO.	FOR	M. Walter	2107	P2016		
		APVD BY	E. Gardner			

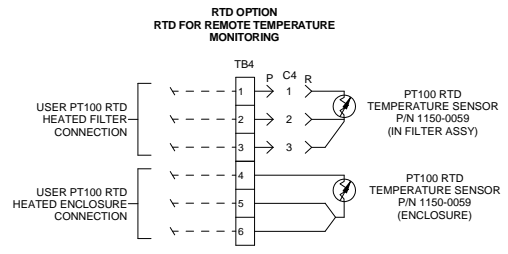
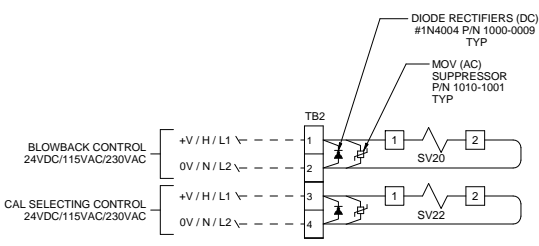
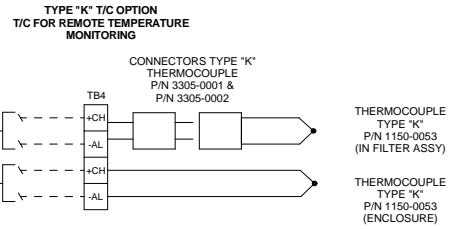
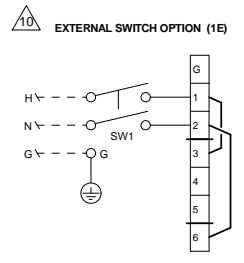
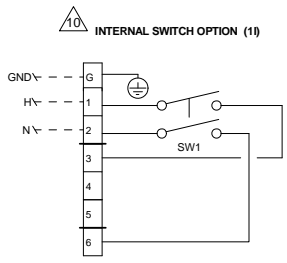
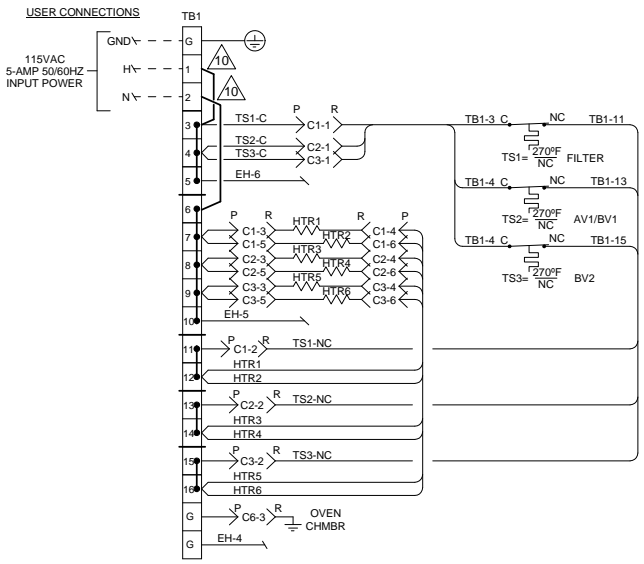


- NOTES:
- 1). ALL WETTED METAL PARTS SHALL BE SILCONERT COATED.
 - 2). ALL FITTINGS TO BE 1/4" TUBE UNLESS OTHERWISE SPECIFIED.
 - 3). BV2 IS OPTIONAL
 - 4). SAMPLE OUT MAY BE 1/4" TUBE OR 3/8" TUBE.
 - 5). IF AIR CONTROL IS USED FOR BLOWBACK (AV20), FILTER ISOLATION VALVE (AV1), OR CAL GAS SELECT VALVE (AV3), ADDITIONAL INSTRUMENT AIR LINES WILL BE IN UMBILICAL. ADD TAGS T6, T13, & T14 AS APPROPRIATE.
 - 6). INCLUDED WITH SAFETY PURGE OPTION.
 - 7). AV3 OPTIONAL - SEE ALTERNATE CAL GAS ARRANGEMENT FOR CAL GAS IN & SAMPLE OUT FOR OPTION W/O AV3. (FLOOD CAL.)
 - 8). SV22 OPTIONAL - NOT REQUIRED IF AV3 IS AIR CONTROLLED
 - 9). LIQUID TRAP (WT) & DRAIN VALVE (DV) OPTIONAL.

Item	Qty	Description	UAI Part No.
SV20	1	Solenoid Valve -24VDC - 2 Way	4955-0010
SV20	1	Solenoid Valve -115VAC - 2 Way	4955-0002
SV20	1	Solenoid Valve - 230VAC - 2 Way	4955-0005
AV20	1	Valve, Toggle Air Actuated	4955-0256
SV22	1	Solenoid Valve - 24VDC 3 Way	4955-0132
SV22	1	Solenoid Valve - 115VAC - 3 Way	4955-0131
SV22	1	Solenoid Valve - 230VAC - 3 Way	4955-0140
AB	1	Acid Blocker Assembly	5110-0015
AV1	1	Valve, Ball Air Actuated 3/4" FNPT	4955-1080-SW-SN
AV3	1	Valve, Ball 3 Way Air Actuated	4955-1063-SW-SN
CV1	1	Check Valve - Kalrez	4955-0254-SN
BV1, 2	2	Ball Valve - Swagelok - 2 Way 3/4" FNPT	4955-1042-SW-SN
NV	1	2 Way Bleed Valve W/ Needle 1/4" Tube	4955-0261
HS	1	Heater Sparger	5110-2146
WT	1	Liquid Trap	4955-1046-SN
DV	1	Valve, Ball - 2 Way	4955-1047-SN



		B	07/09/14	Revision Update	MW	EG
270F P&ID		REV	DATE	DESCRIPTION	DWJ/APVD	
PART NO.		DATE		SCALE	SIZE	SHEET
FOR		NTS		D	14 OF 17	
DRAWN BY: M. Walzer		APVD BY: E. Gardner		ECD#	DRAWING NO. P2016	
		2107				



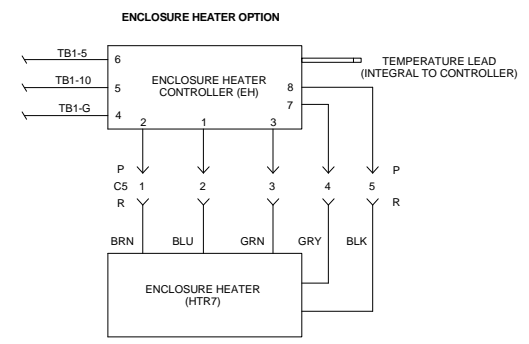
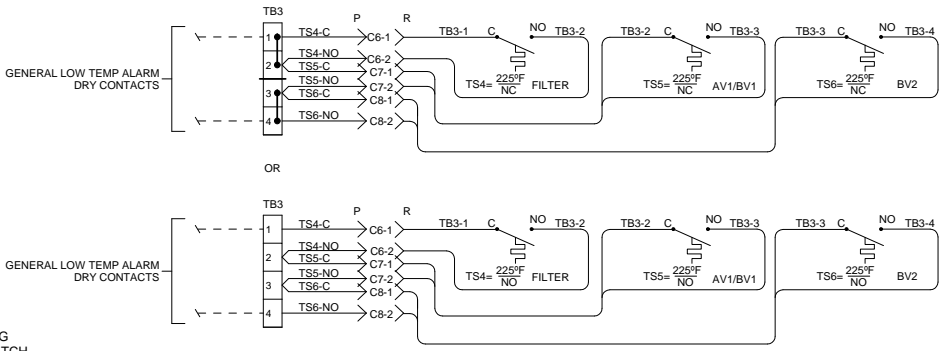
CONDUIT AND WIRING NOTES:
 1). ELECTRICAL CLASSIFICATION: MEETS SPECIFICATIONS FOR CLASS 1, DIV2, GRPS B, C, & D.

2). WIRING SHALL BE IN ACCORDANCE WITH APPLICABLE NEC CODE. ELECTRICAL MATERIALS SHALL BE LABELED BY: UL, FM OR CSA (WIRE AND TERMINALS ONLY). THE FOLLOWING WIRE SIZES ARE EXCLUSIVE OF INTEGRATED COMPONENT WIRE SIZE:

AC POWER WIRE: TFE 300-VOLT INSULATION 18 AWG MINIMUM STRANDED COPPER CONDUCTOR. DC CONTROL OR SIGNAL WIRING: TFE 300-VOLT INSULATION 22 AWG MINIMUM STRANDED COPPER CONDUCTOR.

3). COLOR CODE: 115VAC
 AC POWER HOT - BLACK, NEUTRAL - WHITE, GROUND - GREEN
 DC POWER POSITIVE - RED, NEGATIVE - BLUE
 SIGNAL & ALARM - YELLOW

- 4). USE HIGH TEMPERATURE TERMINAL BLOCKS.
- 5). FILTER HEATER ROD SPECIFICATIONS (HTR1, 2, 3, 4, 5, 6): 3/8" Ø X 1.5" LG @ 63 WATT/115VAC - P/N 3014-0046
- 6). OVEN TEMP CONTROL (TS1, TS2, TS3): NORMALLY CLOSED (NC) BELOW 270°F - P/N 3103-1011.
- 7). LOW TEMP ALARM (TS4, TS5, TS6): BLUE (BLU) NORMALLY OPEN (NO) BELOW 225°F - P/N 3103-0012, YELLOW (YEL) NORMALLY CLOSED (NC) BELOW 225°F - P/N 3103-0013
- 8). ENCLOSURE HTR CONTROLLER (EH) & ENCLOSURE HEATER (HTR7) SET TO 90°C - P/N 3014-1040 & 3014-1064
- 9). CUTOFF SWITCH (SW1) P/N 3100-1019.

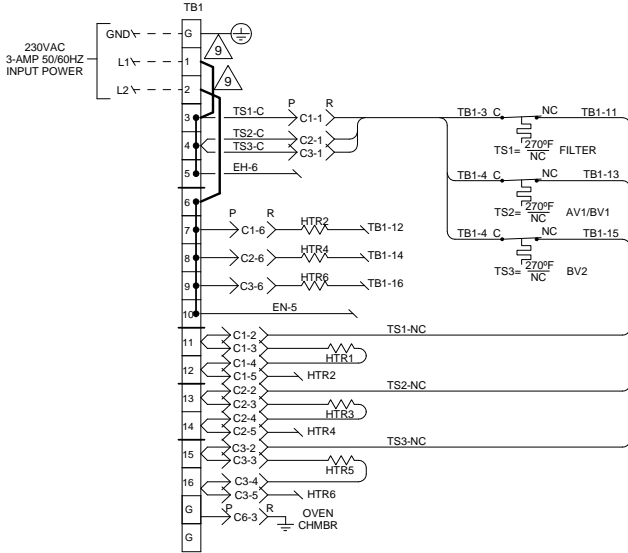


10). ALTERNATE JUMPER CONNECTIONS: USE INTERNAL SWITCH OPTION WIRING IN PLACE OF JUMPERS FOR INTERNAL SWITCH OPTION. USE EXTERNAL SWITCH OPTION WIRING IN PLACE OF JUMPER FOR EXTERNAL SWITCH OPTION.

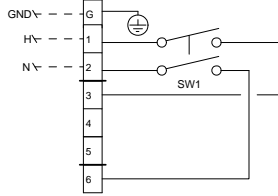
----- FIELD TO WIRE
 MOLEX CONNECTOR LEGEND
 R = RECEPTACLE (FEMALE HOUSING) < = SOCKET (FEMALE TERMINAL)
 P = PLUG (MALE HOUSING) > = PIN (MALE TERMINAL)

5200 Convent Drive Carson City, NV 89706 PH(775)883-2500 FAX: (775)883-6383		B	07/09/14	Revision Update	MW	EG
		REV	DATE	DESCRIPTION	DWN APVD	
		REVISIONS		SCALE	SIZE	SHEET
270F - 115VAC WIRING SCHEMATIC		DATE	09/26/2013	NTS	D	15 OF 17
PART NO.	FOR	DRAWN BY	M. Walter	ECOP	2107	DRAWING NO. P2016
		APVD BY	E. Gardner			

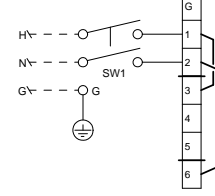
USER CONNECTIONS



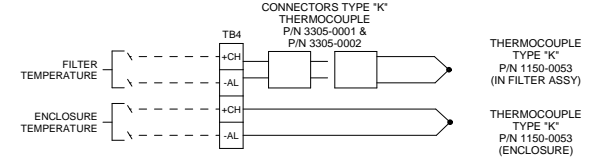
INTERNAL SWITCH OPTION (2I)



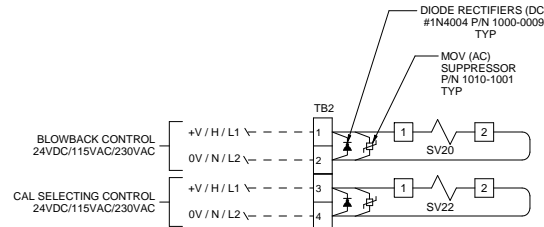
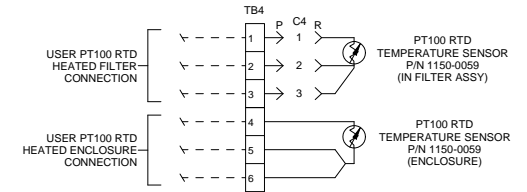
EXTERNAL SWITCH OPTION (2E)



**TYPE "K" T/C OPTION
T/C FOR REMOTE TEMPERATURE
MONITORING**



**RTD OPTION
RTD FOR REMOTE TEMPERATURE
MONITORING**



CONDUIT AND WIRING NOTES:

- 1). ELECTRICAL CLASSIFICATION: MEETS SPECIFICATIONS FOR CLASS 1, DIV2, GRPS A, B, C, & D.
- 2). WIRING SHALL BE IN ACCORDANCE WITH APPLICABLE NEC CODE. ELECTRICAL MATERIALS SHALL BE LABELED BY: UL, FM OR CSA (WIRE AND TERMINALS ONLY). THE FOLLOWING WIRE SIZES ARE EXCLUSIVE OF INTEGRATED COMPONENT WIRE SIZE:

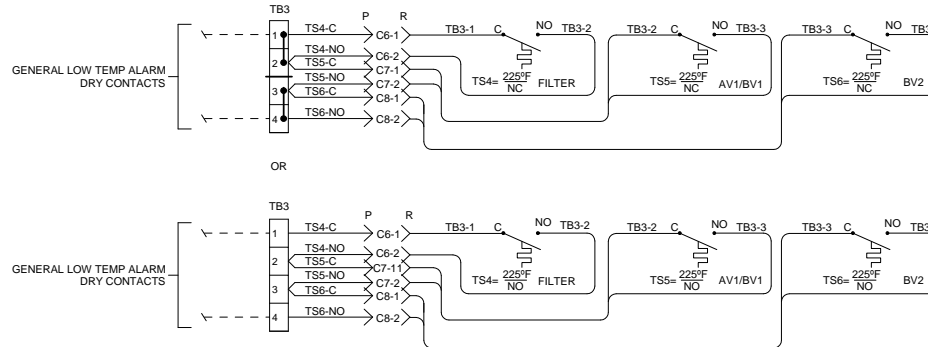
AC POWER WIRE: TFE 300-VOLT INSULATION 18 AWG MINIMUM STRANDED COPPER CONDUCTOR.
DC CONTROL OR SIGNAL WIRING: TFE 300-VOLT INSULATION 22 AWG MINIMUM STRANDED COPPER CONDUCTOR.

- 3). COLOR CODE: 230VAC

AC POWER	DC POWER	SIGNAL & ALARM - YELLOW
L1 - BROWN	POS - RED	
L2 - BLUE	NEG - BLACK	
GROUND - GREEN		

- 4). USE HIGH TEMPERATURE TERMINAL BLOCKS
- 5). FILTER HEATER ROD SPECIFICATIONS (HTR1, 2, 3, 4, 5, 6): 3/8" Ø X 1.5" LG @ 63 WATT/115VAC - P/N 3014-0046
- 6). OVEN TEMP (TS1, TS2, TS3): NORMALLY CLOSED (NC) BELOW 270°F - P/N 3103-1011.
- 7). LOW TEMP ALARM (TS4, TS5, TS6): BLUE (BLU) NORMALLY OPEN (NO) BELOW 225°F - P/N 3103-0012
YELLOW (YEL) NORMALLY CLOSED (NC) BELOW 225° - P/N 3103-0013.
- 8). CUTOFF SWITCH (SW1) P/N 3100-1019.

ALTERNATE JUMPER CONNECTIONS: USE INTERNAL SWITCH OPTION WIRING IN PLACE OF JUMPERS FOR INTERNAL SWITCH OPTION. USE EXTERNAL SWITCH OPTION WIRING IN PLACE OF JUMPER FOR EXTERNAL SWITCH OPTION.



FIELD TO WIRE

MOLEX CONNECTOR LEGEND

R = RECEPTACLE (FEMALE HOUSING) ← = SOCKET (FEMALE TERMINAL)
P = PLUG (MALE HOUSING) → = PIN (MALE TERMINAL)

5200 Convent Drive Carson City, NV 89706 PH775/883-2500 FAX: (775)883-6383		B	07/09/14	Revision Update	MW	EG
UNIVERSAL ELECTRONICS		REV DATE		DESCRIPTION	DWN APVD	
AMETEK		DATE		SCALE	SIZE	SHEET
270F - 230VAC WIRING SCHEMATIC		09/26/2013		NTS	D	16 OF 17
PART NO.	FOR	DRAWN BY	M. Walser	EC0#	2107	DRAWING NO.
		APVD BY	E. Gardner			P2016

TAG LIST

UNLESS OTHERWISE SPECIFIED, ALL TAGS ARE TO BE WHITE ON BLACK, 0.2" TALL LETTERS ON GRAVOPL. ALL TAGS TO BE ATTACHED CLOSE TO ITEM IDENTIFIED, SUCH THAT NO OTHER COMPONENT NEARBY MAY BE MISTAKEN AS THE ITEM IDENTIFIED.


- T1 = DRAIN VALVE *
- T2 = VALVE IS IN THE OPEN POSITION WHEN HANDLE IS IN LINE W/ THE CHAMBER. TURN VALVE 90° TO CLOSE. 1
- ** T3 = CAL GAS IN *
- ** T4 = SAMPLE OUT *
- T5 = VENT VALVE *
- ** T6 = BLOWBACK CONTROL IN *
- ** T7 = INSTRUMENT AIR IN *
- T8 = DRAIN
- T9 = BLEED VENT
- T10 = PURGE RATE
- T11 = PURGE PRESSURE
- T12 = ENCLOSURE PRESSURE
- ** T13 = CAL CONTROL IN *
- ** T14 = FILTER ISO VALVE CONTROL *

* STAINLESS STEEL TAG

** TAG TO BE ATTACHED TO APPROPRIATE FITTING.

NOTES:

1 ATTACHED W/ (2) #6-32 SCREWS TO BV1/BV2 VALVE HANDLE.

		B	07/09/14	Revision Update	MW	EG
270F TAG LIST		REV	DATE	DESCRIPTION	DWN/ APVD	
		REVISIONS				
		DATE	SCALE	SIZE	SHEET	
		09/26/2013	NTS	D	17 OF 17	
PART NO.	FOR	DRAWN BY	M. Walter	ECD#	DRAWING NO.	
-	-	APVD BY	E. Gardner	2107	P2016	