

D

C

B

A

D

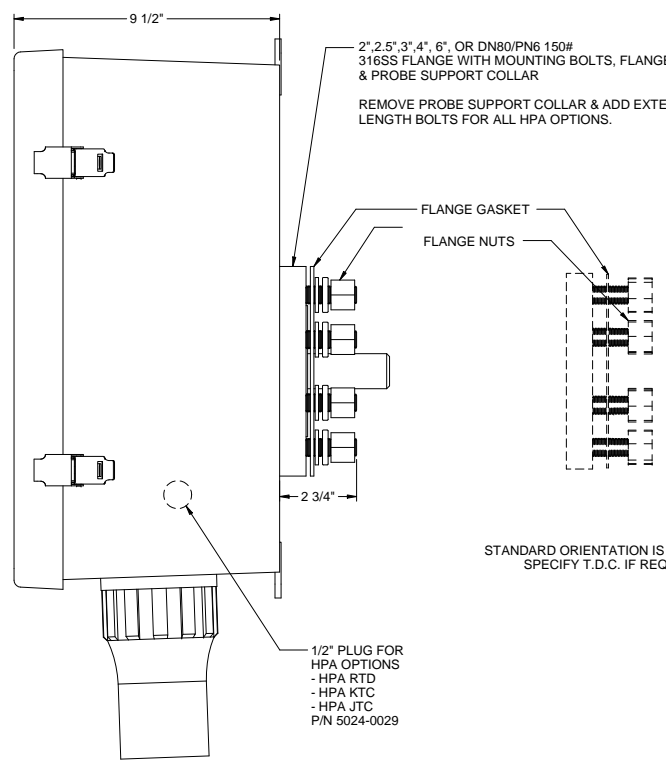
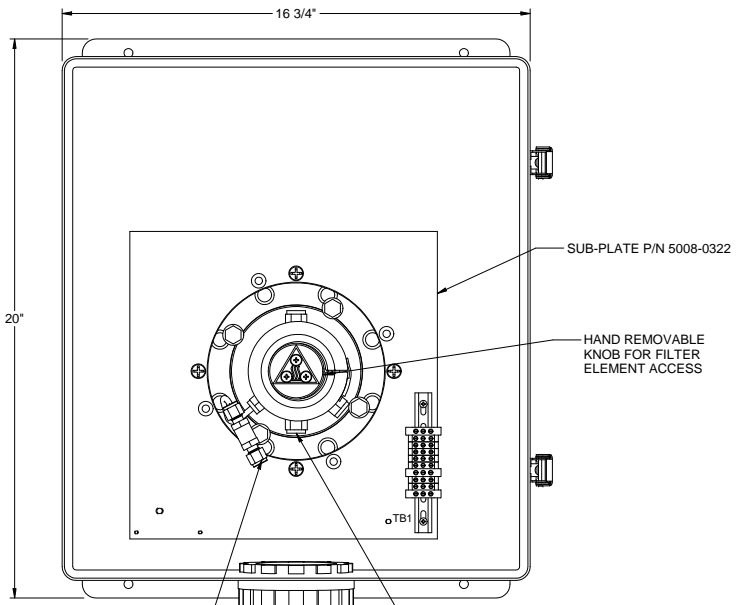
C

B

A

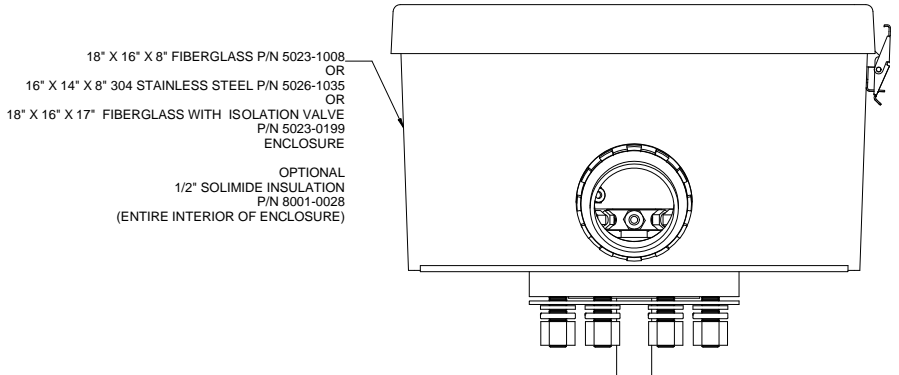
8 | 7 | 6 | 5 | 4 | 3 | 2 | 1

8 | 7 | 6 | 5 | 4 | 3 | 2 | 1



FRONT VIEW (DOOR REMOVED)

RIGHT SIDE VIEW



BOTTOM VIEW

STANDARD ORIENTATION IS STRADDLED. SPECIFY T.D.C. IF REQUIRED.

SPARE PARTS LIST		
REQD	DESCRIPTION	U.A.I. P/N
1	KNOB O-RING VITON	4904-0016
1	KNOB O-RING KALREZ	4904-2001
2	FILTER O-RING VITON	4904-0015
2	FILTER O-RING KALREZ	4904-2002
1	CHECK VALVE	4955-0148

OPTION	DESCRIPTION	DRAWING
-ZPH	HORIZONTAL MOUNT Z-PURGE PANEL	P1218
-ZPV	VERTICAL MOUNT Z-PURGE PANEL	
-NH3	AMMONIA CONVERTER	P1376
-HR	HEATED PROBE ASSEMBLY (HPA)	P1412
-HK	RTD TERMINALS FOR HPA	
-HJ	TYPE "K" T/C TERMINALS FOR HPA	
-PTSnm	TYPE "J" T/C TERMINALS FOR HPA	
	EXTENDED LENGTH PROBE TUBE SUPPORT	P1445
	n = LENGTH IN FEET. (2,3,4,5)	
	m = MATERIAL (S,C,T)	
	S=316SS, C=276, T=310SS	

EPICOR CONFIGURATOR
CONTROLLED DOCUMENT

 <small>5200 Compair Drive, Carson, CA 94510 (773) 893-2500</small>	J	08/16/12	Add Optional Wiring Schematics	MW	EG
	REV	DATE	DESCRIPTION	DWN	APVD
REVISIONS					
DATE	SCALE	NTS	SIZE	D	SHEET
06/23/2006					1 OF 6
DRAWN BY	R. Wells	ECO#			DRAWING NO.
APVD BY	G. Evans	1398			P1078
PART NO.	FOR				
270	INSTRUMENT				

8 | 7 | 6 | 5 | 4 | 3 | 2 | 1

D

D

C

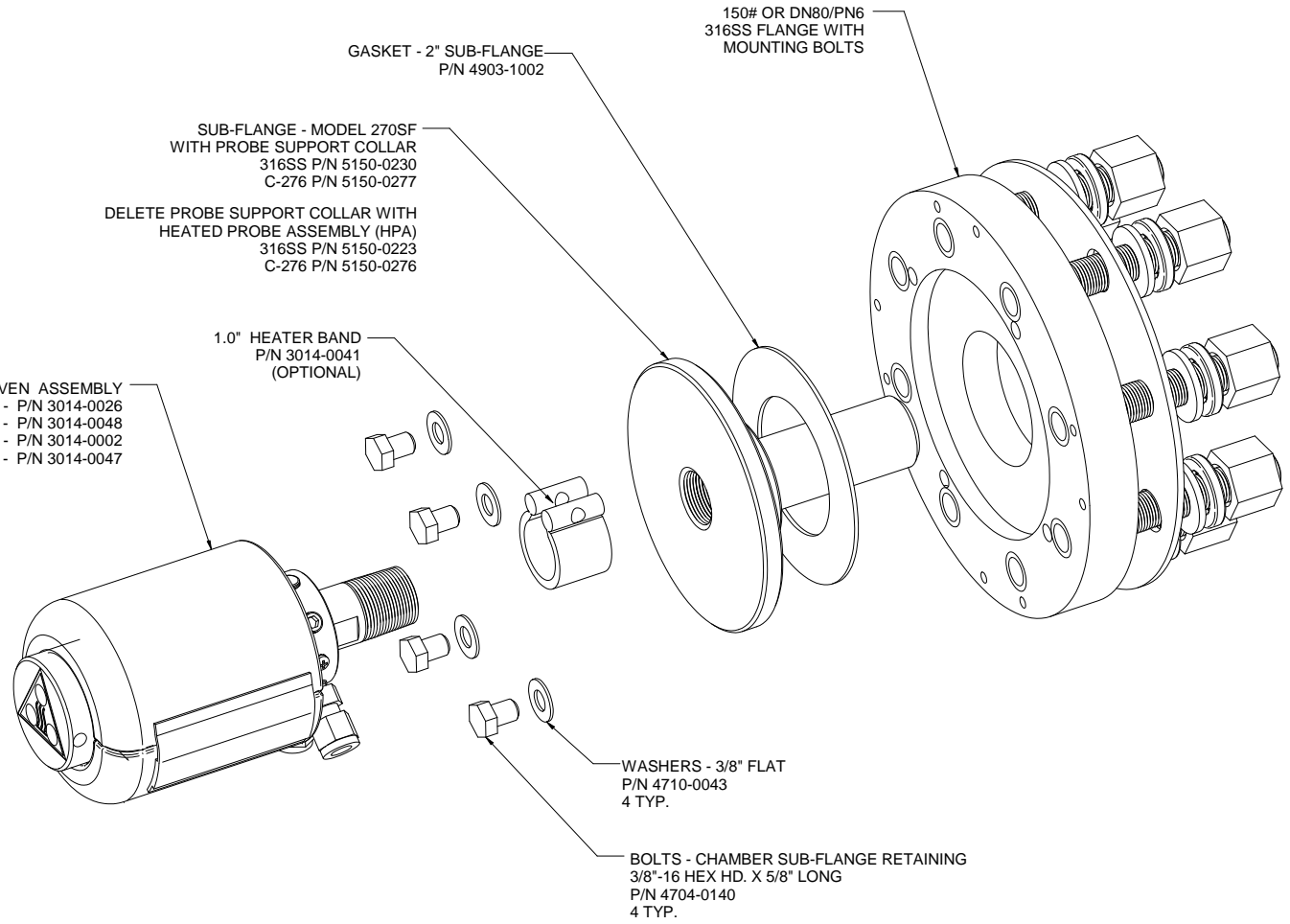
C

B

B

A

A



GASKET - 2" SUB-FLANGE
P/N 4903-1002

150# OR DN80/PN6
316SS FLANGE WITH
MOUNTING BOLTS

SUB-FLANGE - MODEL 270SF
WITH PROBE SUPPORT COLLAR
316SS P/N 5150-0230
C-276 P/N 5150-0277

DELETE PROBE SUPPORT COLLAR WITH
HEATED PROBE ASSEMBLY (HPA)
316SS P/N 5150-0223
C-276 P/N 5150-0276


1.0" HEATER BAND
P/N 3014-0041
(OPTIONAL)

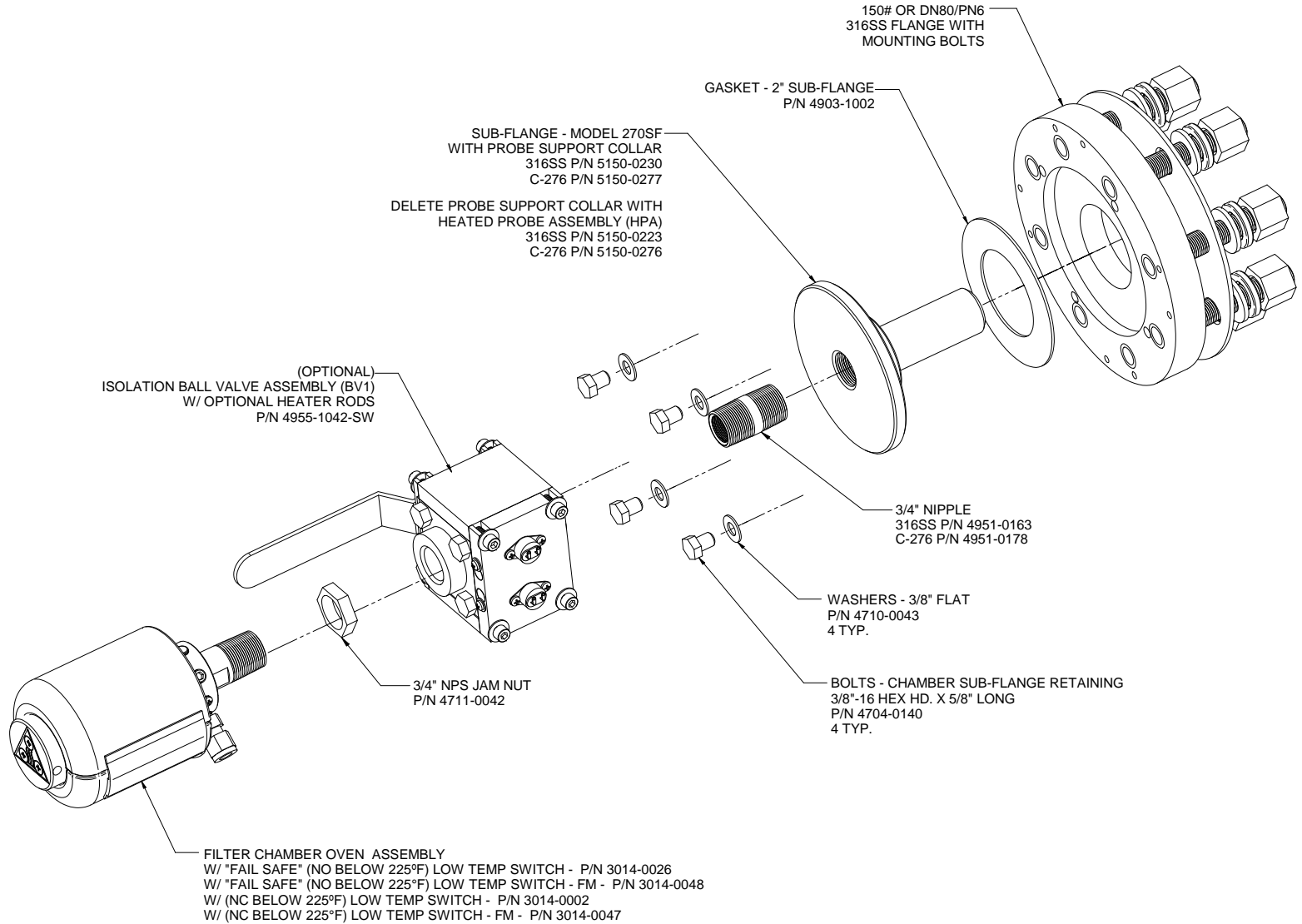
FILTER CHAMBER OVEN ASSEMBLY
W/ "FAIL SAFE" (NO BELOW 225°F) LOW TEMP SWITCH - P/N 3014-0026
W/ "FAIL SAFE" (NO BELOW 225°F) LOW TEMP SWITCH - FM - P/N 3014-0048
W/ (NC BELOW 225°F) LOW TEMP SWITCH - P/N 3014-0002
W/ (NC BELOW 225°F) LOW TEMP SWITCH - FM - P/N 3014-0047

WASHERS - 3/8" FLAT
P/N 4710-0043
4 TYP.

BOLTS - CHAMBER SUB-FLANGE RETAINING
3/8"-16 HEX HD. X 5/8" LONG
P/N 4704-0140
4 TYP.

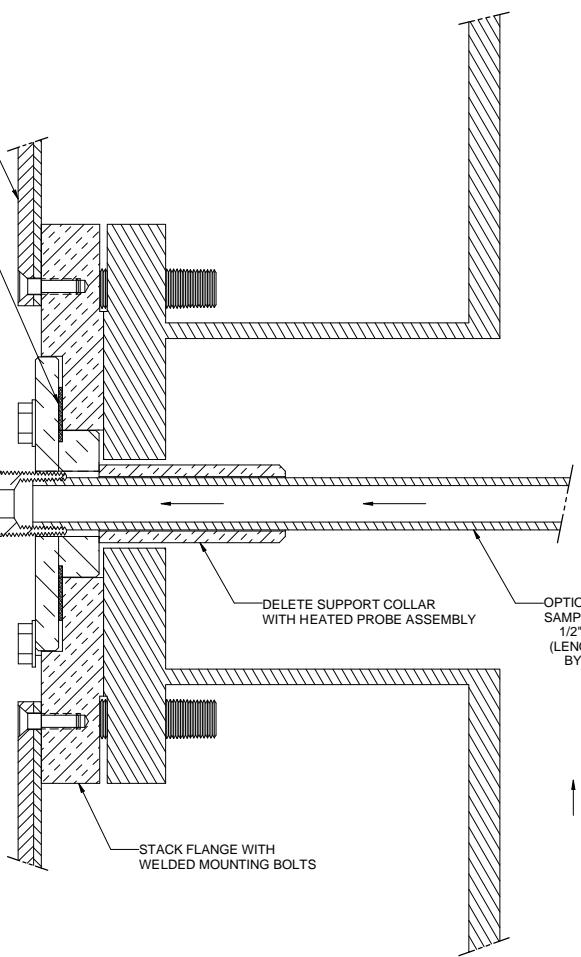
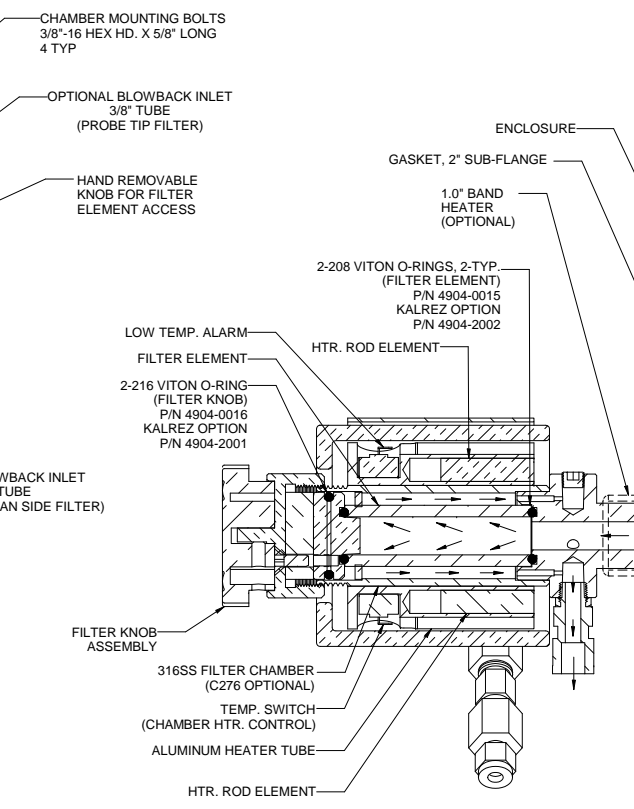
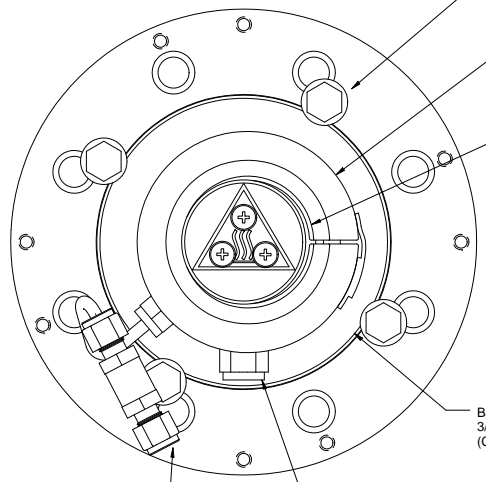
8 | 7 | 6 | 5 | 4 | 3

 5200 Comair Drive, Carroll City, Nevada 89706 (775) 893-2500		J	08/16/12	Add Optional Wiring Schematics	MW	EG
		REV	DATE	DESCRIPTION	DWN	APVD
MODEL 270 S/C F-FG(I)/SS(I) LAYOUT AND WIRING SCHEMATIC		REVISIONS				
		DATE	SCALE	SIZE	SHEET	
270	FOR INSTRUMENT	06/23/2006	NTS	D	2 OF 6	
DRAWN BY R. Wells		ECO#		DRAWING NO.		
APVD BY G. Evans		1398		P1078		

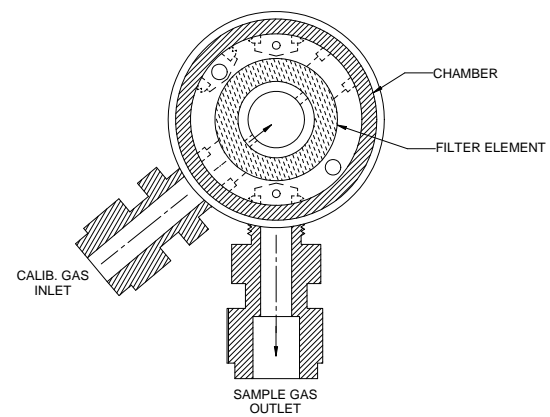


		J	08/16/12	Add Optional Wiring Schematics	MW	EG
		REV	DATE	DESCRIPTION	DWN	APVD
5200 Cornisar Drive, Carson City, Nevada 89706 (775) 883-2500 MODEL 270 S/C F W/ ISOLATION VALVE FLANGE MOUNT ASSEMBLY		REVISIONS				
DATE	SCALE	SIZE	SHEET			
06/23/2006	NTS	D	3 OF 6			
PART NO.	FOR	DRAWN BY	ECO#	DRAWING NO.		
270	INSTRUMENT	R. Wells	1398	P1078		
		APVD BY				
		G. Evans				

8 | 7 | 6 | 5 | 4 | 3 | 2 | 1



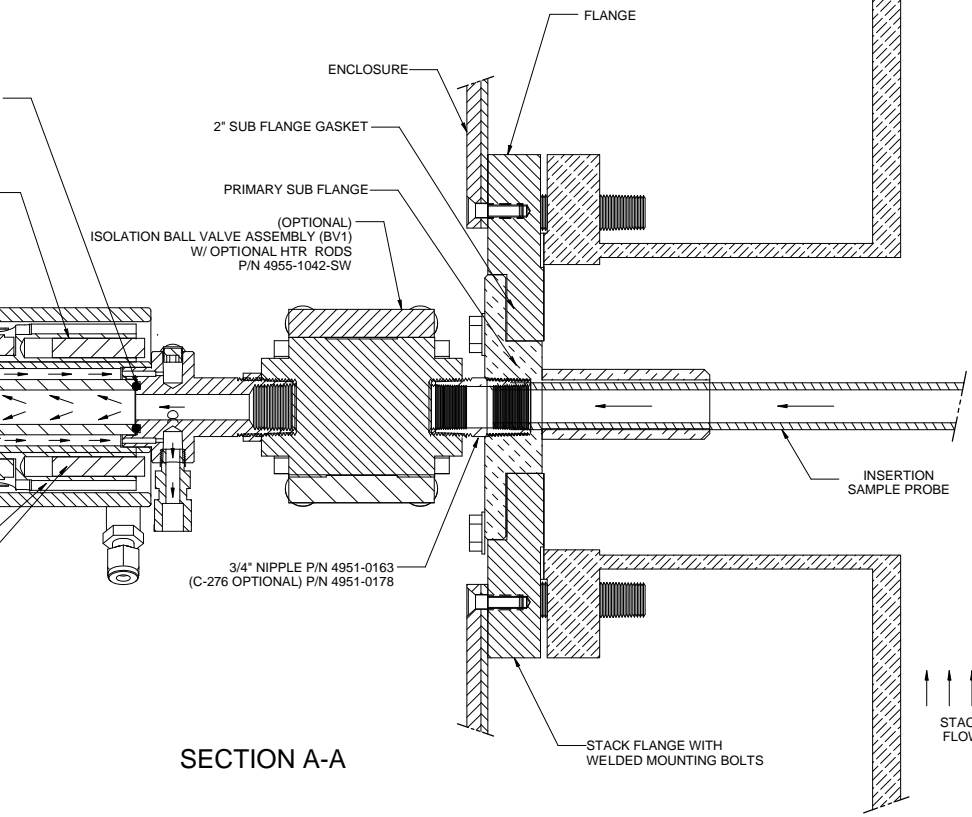
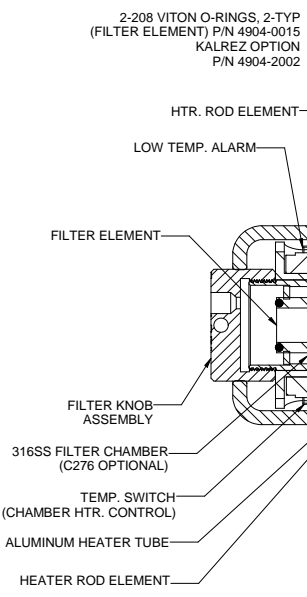
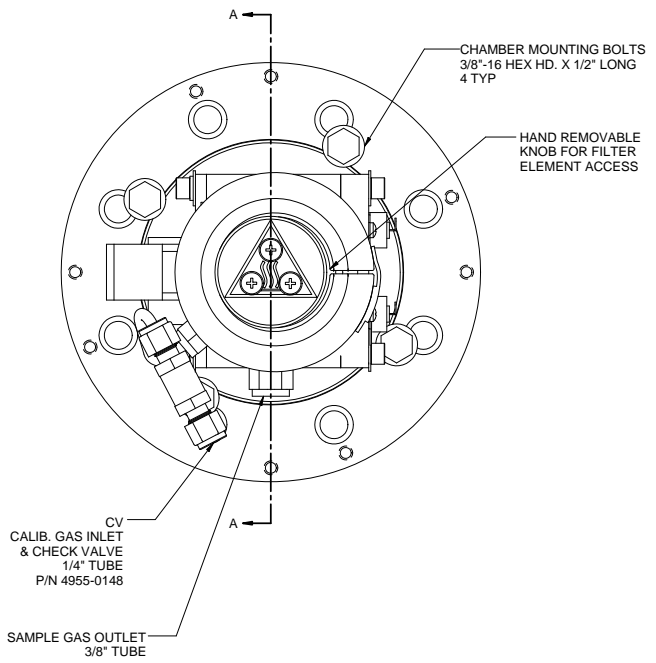
SECTION A-A



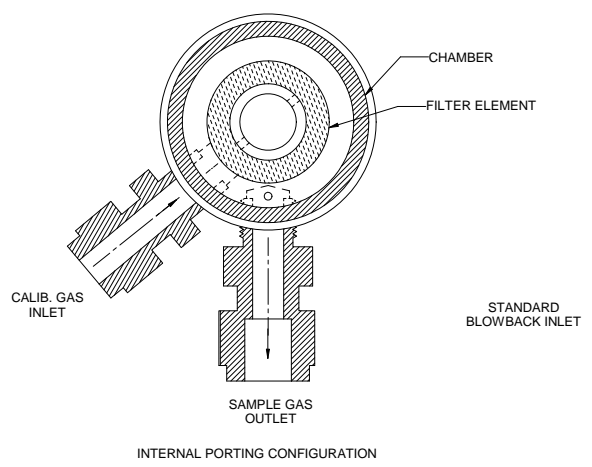
(CV)
CALIB. GAS INLET & CHECK VALVE
1/4" TUBE
P/N 4955-0148

		J	08/16/12	Add Optional Wiring Schematics	MW	EG
		REV	DATE	DESCRIPTION	DWN	APVD
5200 Comair Drive, Carson, CA 90746 (772) 893-2500 MODEL 270 S/C F TYPICAL INSTALLATION DIAGRAM		REVISIONS				
DATE	06/23/2006	SCALE	NTS	SIZE	D	SHEET
DRAWN BY	R. Wells	ECO#				4 OF 6
PART NO.	270	FOR	INSTRUMENT	APVD BY	G. Evans	DRAWING NO.
					1398	P1078

8 | 7 | 6 | 5 | 4 | 3 | 2 | 1

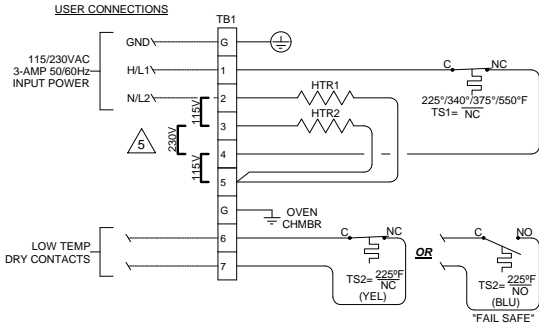


SECTION A-A

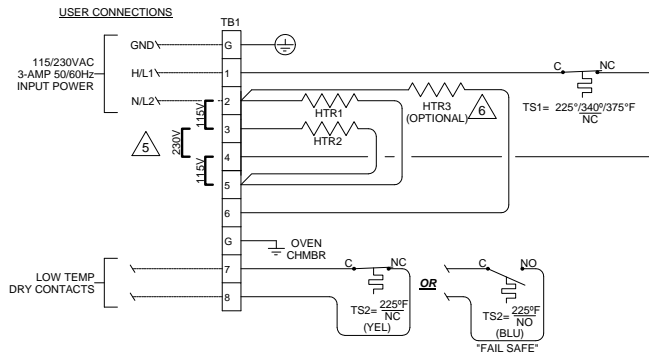


 <small>5200 Compair Drive, Carson City, Nevada, 89706 (775) 883-2500</small>		J	08/16/12	Add Optional Wiring Schematics	MW	EG
		REV	DATE	DESCRIPTION	DWN	APVD
MODEL 270 S/C F W/ ISOLATION VALVE ASSEMBLY DETAIL		REVISIONS				
		DATE	SCALE	SIZE	SHEET	
06/23/2006	NTS	D	5 OF 6			
PART NO.	FOR	DRAWN BY	ECO#	DRAWING NO.		
270	INSTRUMENT	R. Wells	1398	P1078		
		APVD BY	G. Evans			

THERMAL SWITCH TEMPERATURE CONTROL OPTION

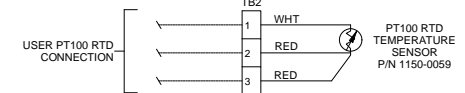


THERMAL SWITCH TEMPERATURE CONTROL W/ BAND HEATER OPTION

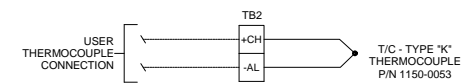


OPTIONAL

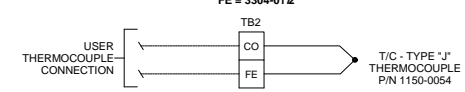
PT100 RTD OPTION FOR REMOTE FILTER HEATER TEMPERATURE MONITORING / CONTROL



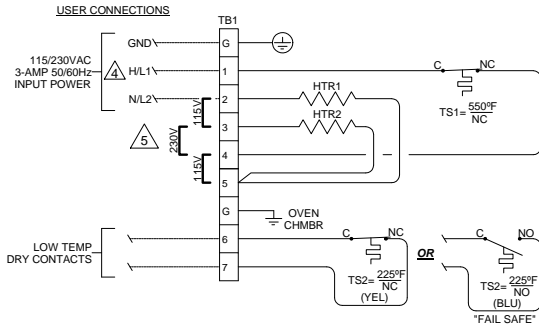
THERMOCOUPLE OPTION FOR REMOTE FILTER HEATER TEMPERATURE MONITORING / CONTROL



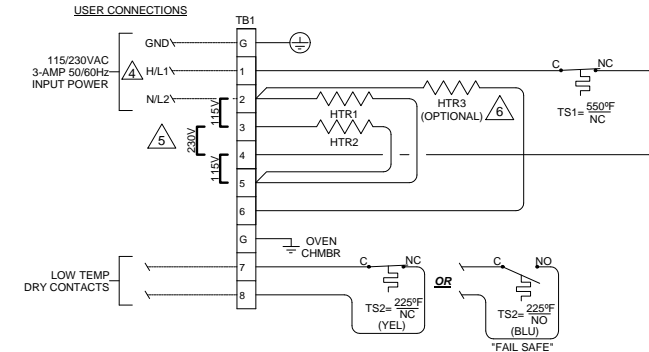
THERMOCOUPLE OPTION FOR REMOTE FILTER HEATER TEMPERATURE MONITORING / CONTROL



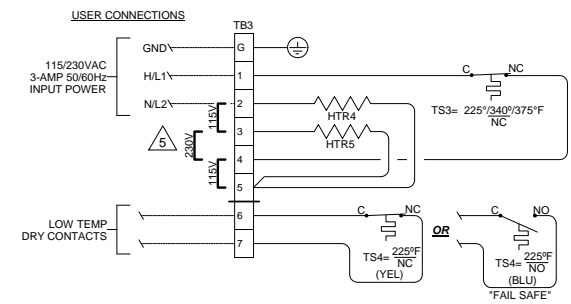
REMOTE TEMPERATURE CONTROLLER OPTION



REMOTE TEMPERATURE CONTROLLER W/ BAND HEATER OPTION



OPTIONAL BALL VALVE (BV1) THERMAL SWITCH TEMPERATURE CONTROL



- NOTES:**
- 1) FILTER HEATER ROD SPECIFICATIONS (HTR1 & HTR2):
3/8" Ø X 1.5' LG @ 63 WATT/115VAC - U.A.1. P/N 3014-0046
 - 2) OVEN TEMP. CONTROL OPTIONS(TS1):
NORMALLY CLOSED (NC) BELOW 340°F - P/N 3103-0014
NORMALLY CLOSED (NC) BELOW 375°F - P/N 3103-0061
NORMALLY CLOSED (NC) BELOW 225°F - P/N 3103-0013
NORMALLY CLOSED (NC) BELOW 550°F - P/N 3103-0005
 - 3) LOW TEMP ALARM OPTIONS (TS2):
(NOT AVAILABLE WITH 225 OVEN TEMP. CONTROL OPTION)
YELLOW (YEL) - NORMALLY CLOSED (NC) BELOW 225°F - P/N 3103-0013
BLUE (BLU) - NORMALLY OPEN (NO) BELOW 225°F - P/N 3103-0012
(IF TS1=550°F, USE TS2 (NC) BELOW 225°F - P/N 3103-1002)
- ⚠️ REMOTE CHAMBER HEATER CONTROL OPTION (TB1-1) WILL REQUIRE LABEL P/N 5001-0217 TO BE ATTACHED TO BACK PLATE PARALLEL TO TB1; THAT NO TEMPERATURE CONTROL SWITCH BE USED, AND BE REGULATED WITH A TEMPERATURE CONTROLLING DEVICE. VERIFY THAT THE VOLTAGE BEING SUPPLIED MATCHES THE VOLTAGE RATING ON THE SERIAL TAG.
- ⚠️ FOR VOLTAGE CHANGE IN THE FIELD FROM 115 VAC TO 230 VAC, REMOVE JUMPERS ON TB1 & TB3 AT TERMINAL LOCATIONS 2-3 & 4-5. INSERT JUMPER AT TERMINAL LOCATION 3-4.
- ⚠️ PRE TUBE HEATER (HTR3): OPTIONAL 1.0" HEATER BAND P/N 3014-0041 NOT TO BE USED IN ATEX UNITS.

FIELD TO WIRE

		J	06/16/12	Add Optional Wiring Schematics	MW	EG
		REV	DATE	DESCRIPTION	DWN	APVD
5200 Connor Drive, Carson, CA 94515, 92506 (775) 883-2500		REVISIONS				
MODEL 270 S/C F OPTIONAL WIRING SCHEMATICS		DATE	SCALE	SIZE	SHEET	
PART NO. 270		06/23/2006	NTS	D	6 OF 6	
DRAWN BY R. Wells INSTRUMENT		APVD BY G. Evans	ECO#	1398	DRAWING NO. P1078	