

LEFT
MOUNTING HOLES FOR
1/4" HARDWARE
(SUPPLIED BY OTHERS)
4 TYP

INTAKE FAN
(INWARD FLOW)

FRONT

CONDENSATE DRAIN
3/8" NPT
2 TYP

COOLING FAN
(UPWARD FLOW)

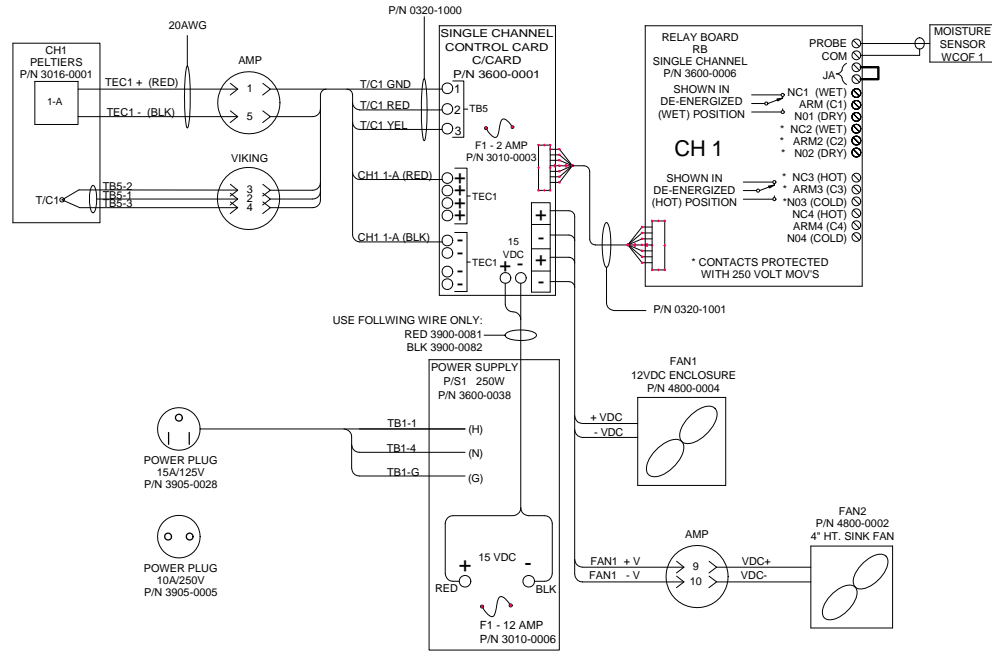
5" INSULATED
IMPINGER

SINGLE CHANNELL CONTROLLER
& POWER SUPPLY ENCLOSURE

SEE SHEET 2 FOR WIRING SCHEMATIC

UNIVERSAL ANALYZERS INC.		G 01/29/10	Revised For Modularity	MW	DA
1701 South SutroTerrace Carson City, Nevada 89706 USA		REV	DATE	DESCRIPTION	DWN/APVD
REVISIONS					
MODEL 530 SAMPLE COOLER ARRANGEMENT		DATE	SCALE	SIZE	SHEET
PART NO. NOT ISSUED		FOR N/A		NTS	D 1 OF 2
DRAWN BY E. Musselman		APVD BY T. Barben		DRAWING NO. P0011	

8 | 7 | 6 | 5 | 4 | 3 | 2 | 1



CONDUIT AND WIRING NOTES

1. ELECTRICAL CLASSIFICATION: INSIDE - GENERAL PURPOSE SYSTEM IS CONFIGURED AT THE FACTORY FOR REQUIRED VOLTAGE. CONTACT FACTORY FOR VOLTAGE CHANGE REQUIREMENTS.

2. AC WIRING SHALL BE INDIVIDUAL CONDUCTORS OF STRANDED TINNED COPPER WITH 300V, TYPE TFE INSULATION. MINIMUM WIRE SIZE SHALL BE 18 AWG UNLESS OTHERWISE SPECIFIED. COLOR CODE SHALL BE AS FOLLOWS:

115V - HOT - BLACK 230V - HOT - BROWN
 NEUTRAL - WHITE NEUTRAL - BLUE
 GROUND - GREEN GROUND - GREEN

3. DC WIRING SHALL BE INDIVIDUAL CONDUCTORS OF STRANDED TINNED COPPER WITH 300V, TYPE TFE INSULATION. MINIMUM WIRE SIZE SHALL BE 22 AWG UNLESS OTHERWISE SPECIFIED. COLOR CODE SHALL BE AS FOLLOWS, UNLESS OTHERWISE SPECIFIED:

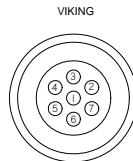
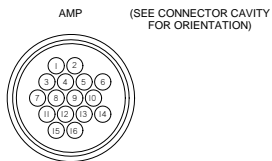
115V +V RED 230V +V RED
 -V BLUE -V BLACK

RELAY BOARD NOTES

4. USER CONNECTIONS TO MOISTURE SENSOR RELAY ENERGIZED WHEN SENSOR IS DRY (DRY LED ON). RATING: 1/10HP 120VAC 5A 240VAC/32VDC RESISTIVE.

5. USER CONNECTIONS TO 'AT TEMPERATURE' RELAY ENERGIZED WHEN BELOW SET TEMPERATURE (COOL LED ON). RATING: 1/10HP 120VAC 5A 240VAC/32VDC RESISTIVE.

 FIELD TO WIRE



8 | 7 | 6 | 5 | 4 | 3 | 2 | 1

UNIVERSAL ANALYZERS INC.		G 01/29/10	Revised For Modularity	MW	DA
1701 South Sutro Terrace Carson City, Nevada 89706 USA		REV	DATE	DESCRIPTION	DWN/APVD
MODEL 530 SAMPLE COOLER WIRING SCHEMATIC					
PART NO.	FOR	DATE	SCALE	SIZE	SHEET
NOT ISSUED	N/A	02/30/1992	NTS	D	2 OF 2
DRAWN BY E. Musselman		APVD BY T. Barben		DRAWING NO. P0011	