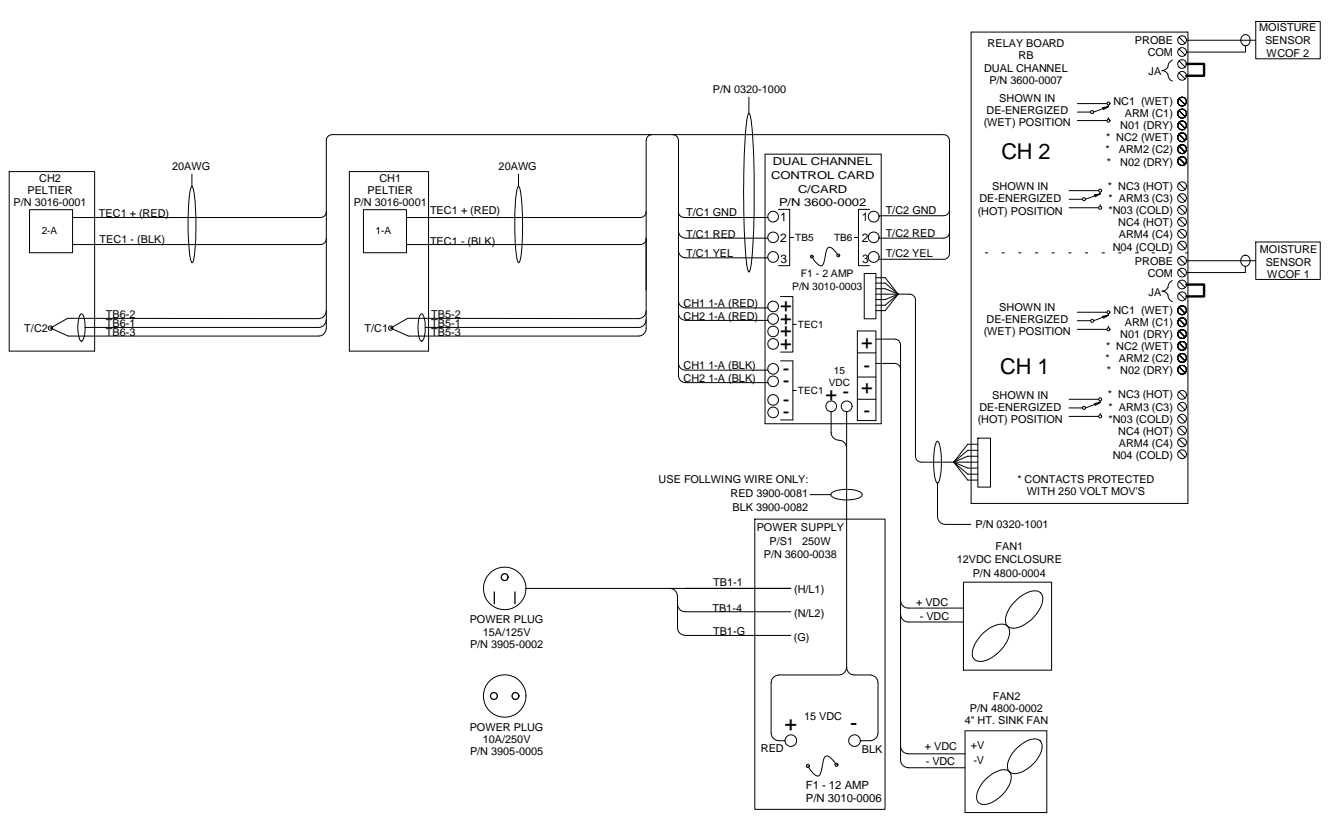


SEE SHEET 2 FOR WIRING SCHEMATIC

UNIVERSAL ANALYZERS INC.		G	02/24/12	Remove AMP Connector	MW	RW
5200 Convair Drive Carson City, Nevada 89706 USA		REV	DATE	DESCRIPTION	DWN	APVD
REVISIONS						
MODEL 540 SAMPLE COOLER ARRANGEMENT		DATE	SCALE	SIZE	SHEET	
		01/27/1992	NTS	D	1 OF 2	
PART NO.	FOR	DRAWN BY	ECO	APVD BY	DRAWING NO.	
540	N/A	E. Musselman	1212		P0009	

8 | 7 | 6 | 5 | 4 | 3 | 2 | 1



USE FOLLOWING WIRE ONLY:
 RED 3900-0081
 BLK 3900-0082

CONDUIT AND WIRING NOTES

1. ELECTRICAL CLASSIFICATION: INSIDE - GENERAL PURPOSE SYSTEM IS CONFIGURED AT THE FACTORY FOR REQUIRED VOLTAGE. CONTACT FACTORY FOR VOLTAGE CHANGE REQUIREMENTS.

2. AC WIRING SHALL BE INDIVIDUAL CONDUCTORS OF STRANDED TINNED COPPER WITH 300V, TYPE TFE INSULATION. MINIMUM WIRE SIZE SHALL BE 18 AWG UNLESS OTHERWISE SPECIFIED. COLOR CODE SHALL BE AS FOLLOWS:

115V - HOT - BLACK 230V - HOT - BROWN
 NEUTRAL - WHITE NEUTRAL - BLUE
 GROUND - GREEN GROUND - GREEN/YELLOW

3. DC WIRING SHALL BE INDIVIDUAL CONDUCTORS OF STRANDED TINNED COPPER WITH 300V, TYPE TFE INSULATION. MINIMUM WIRE SIZE SHALL BE 22 AWG UNLESS OTHERWISE SPECIFIED. COLOR CODE SHALL BE AS FOLLOWS, UNLESS OTHERWISE SPECIFIED:

115V +V RED 230V +V RED
 -V BLUE -V BLACK

RELAY BOARD NOTES

4. USER CONNECTIONS TO MOISTURE SENSOR RELAY ENERGIZED WHEN SENSOR IS DRY (DRY LED ON). RATING: 1/10HP 120VAC 5A 240VAC/32VDC RESISTIVE.

5. USER CONNECTIONS TO 'AT TEMPERATURE' RELAY ENERGIZED WHEN BELOW SET TEMPERATURE (COOL LED ON). RATING: 1/10HP 120VAC 5A 240VAC/32VDC RESISTIVE.

 FIELD TO WIRE

8 | 7 | 6 | 5 | 4 | 3 | 2 | 1

UNIVERSAL ANALYZERS INC.		G	02/24/12	Remove AMP Connector	MW	RW
5200 Convoir Drive Carson City, Nevada 89706 USA		REV	DATE	DESCRIPTION	DWN	APVD
REVISIONS						
DATE		SCALE		SIZE		SHEET
01/27/1992		NTS		D		2 OF 2
DRAWN BY		ECO		DRAWING NO.		
APVD BY		1212		P0009		
PART NO.	FOR					
540	N/A					