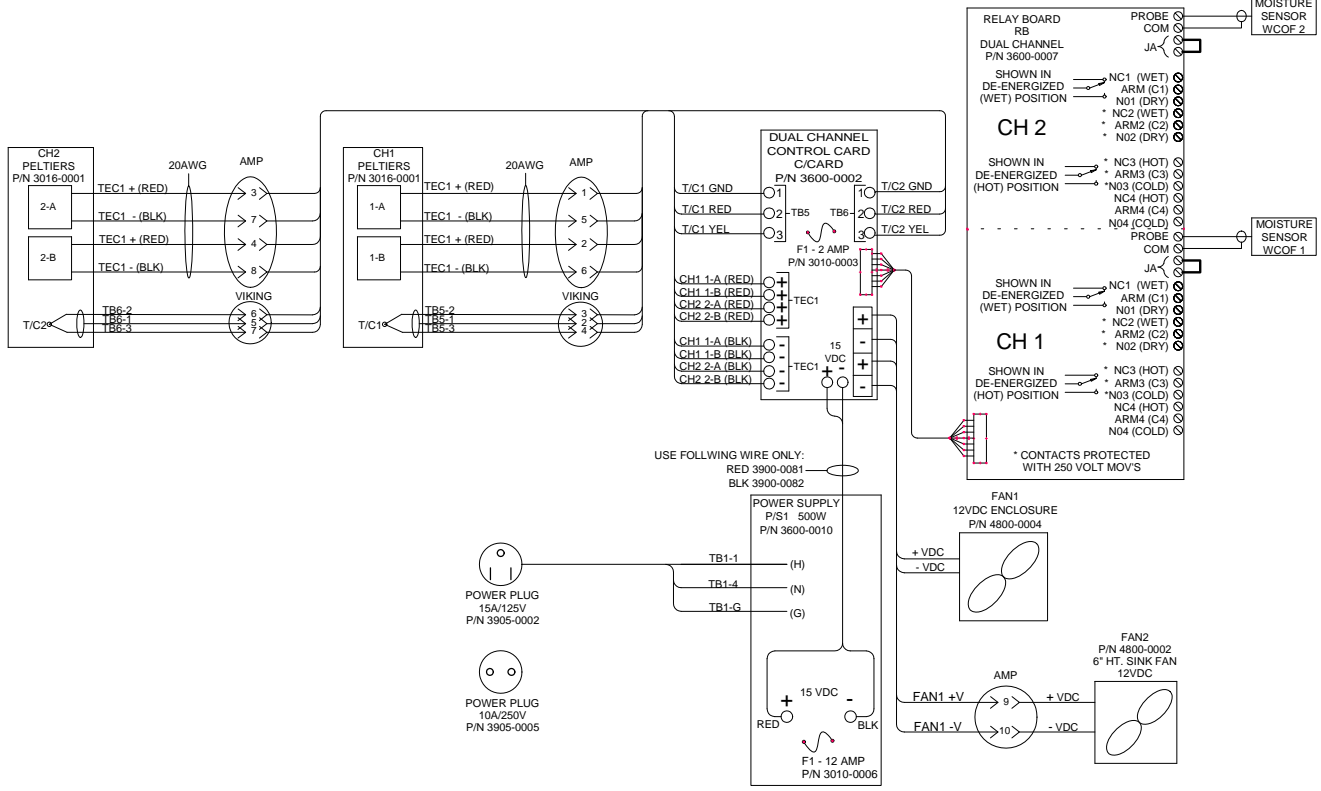


SEE SHEET 2 FOR WIRING SCHEMATIC.

UNIVERSAL ANALYZERS INC.		E 01/28/10	Revised For Modularity	MW	DA
5200 Convoir Drive Carson City, Nevada 89706 USA		REV	DESCRIPTION	DWN	APVD
MODEL 574 SAMPLE COOLER ARRANGEMENT					
PART NO. NOT ISSUED		FOR N/A		DRAWING NO. P0290	
DATE 07/06/1998		SCALE NTS		SIZE D	
DRAWN BY E. Musselman		APVD BY T. Barben		SHEET 1 OF 2	



CONDUIT AND WIRING NOTES

1. ELECTRICAL CLASSIFICATION - INSIDE - GENERAL PURPOSE SYSTEM IS CONFIGURED AT THE FACTORY FOR REQUIRED VOLTAGE. CONTACT FACTORY FOR VOLTAGE CHANGE REQUIREMENTS.

2. AC WIRING SHALL BE INDIVIDUAL CONDUCTORS OF STRANDED TINNED COPPER WITH 300V, TYPE TFE INSULATION. MINIMUM WIRE SIZE SHALL BE 18 AWG UNLESS OTHERWISE SPECIFIED. COLOR CODE SHALL BE AS FOLLOWS:

115V - HOT - BLACK 230V - HOT - BROWN
 NEUTRAL - WHITE NEUTRAL - BLUE
 GROUND - GREEN GROUND - GREEN

3. DC WIRING SHALL BE INDIVIDUAL CONDUCTORS OF STRANDED TINNED COPPER WITH 300V, TYPE TFE INSULATION. MINIMUM WIRE SIZE SHALL BE 22 AWG UNLESS OTHERWISE SPECIFIED. COLOR CODE SHALL BE AS FOLLOWS, UNLESS OTHERWISE SPECIFIED:

115V +V RED 230V +V RED
 -V BLUE -V BLACK

RELAY BOARD NOTES

4. USER CONNECTIONS TO MOISTURE SENSOR RELAY ENERGIZED WHEN SENSOR IS DRY (DRY LED ON). RATING: 1/10HP 120VAC 5A 240VAC/32VDC RESISTIVE.

5. USER CONNECTIONS TO 'AT TEMPERATURE' RELAY ENERGIZED WHEN BELOW SET TEMPERATURE (COOL LED ON). RATING: 1/10HP 120VAC 5A 240VAC/32VDC RESISTIVE.

 FIELD TO WIRE



UNIVERSAL ANALYZERS INC.		E 01/28/10	Revised For Modularity	MW	DA
5200 Convent Drive Carson City, Nevada 89706 USA		REV	DATE	DESCRIPTION	DWN/APVD
MODEL 574 SAMPLE COOLER		REVISIONS			
WIRING SCHEMATIC		DATE	SCALE	SIZE	SHEET
DRAWN BY E. Musselman		07/06/1998	NTS	D	2 OF 2
PART NO. NOT ISSUED		FOR N/A		DRAWING NO. P0290	
APVD BY T. Barben					