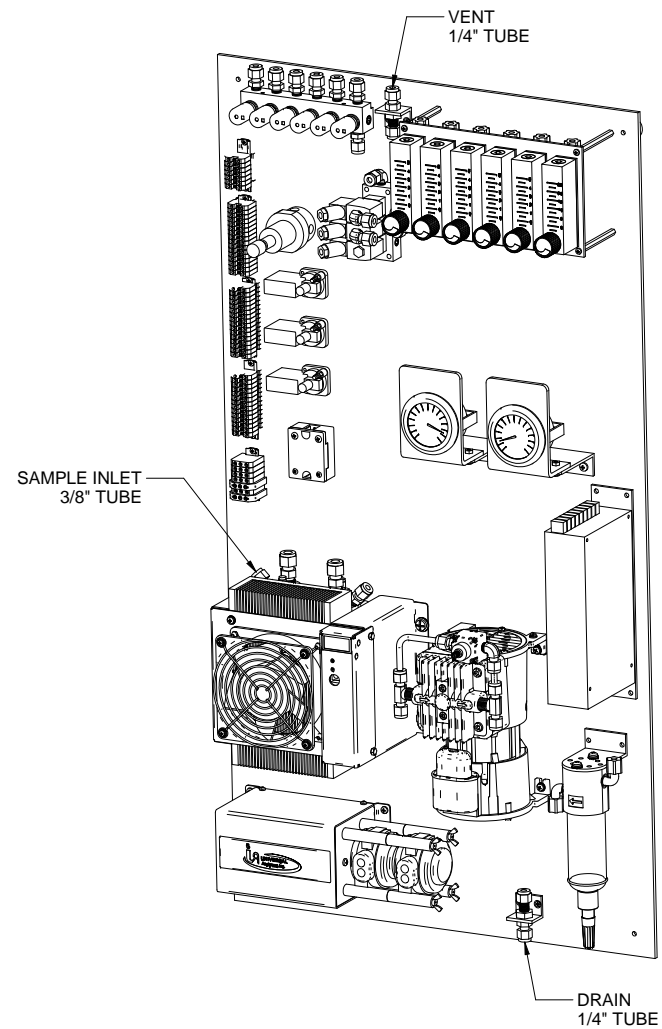


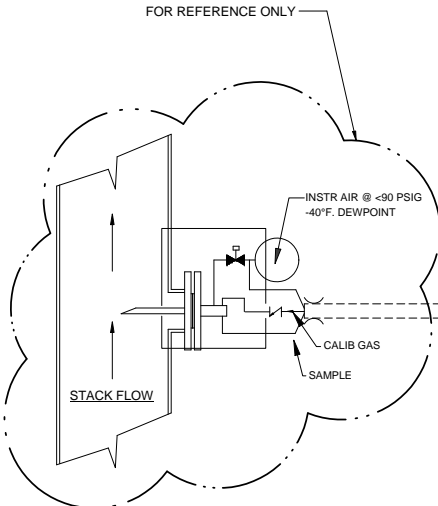
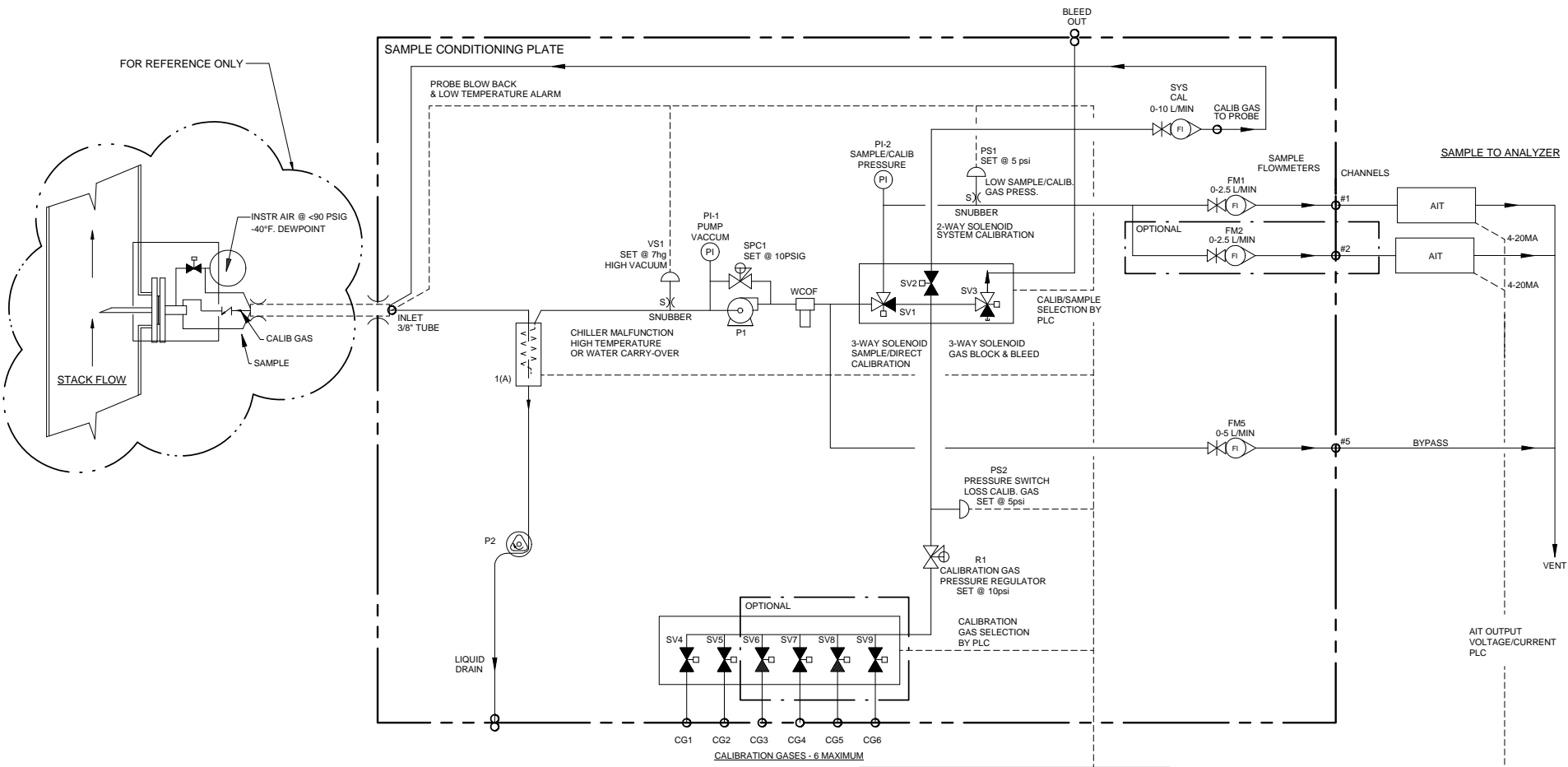


FRONT VIEW

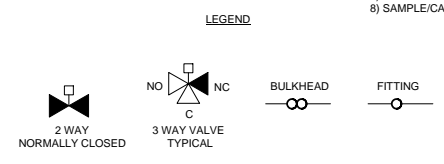


ISOMETRIC VIEW

 		- 09/18/13		Initial Release		MY	MW
REV	DATE	DESCRIPTION				DWN/APVD	
REVISIONS							
DATE		SCALE	NTS	SIZE	SHEET		
09/19/2013				D	1 OF 5		
PART NO.	FOR	DRAWN BY	M. Walser	ECCO	DRAWING NO.		
600-SCP-INT	600 Series	APVD BY	M. Withrow	1801	P2012		



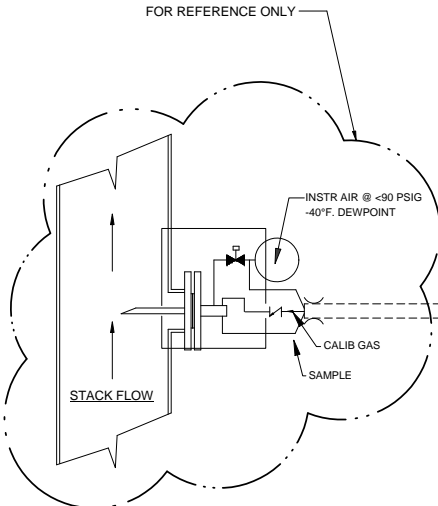
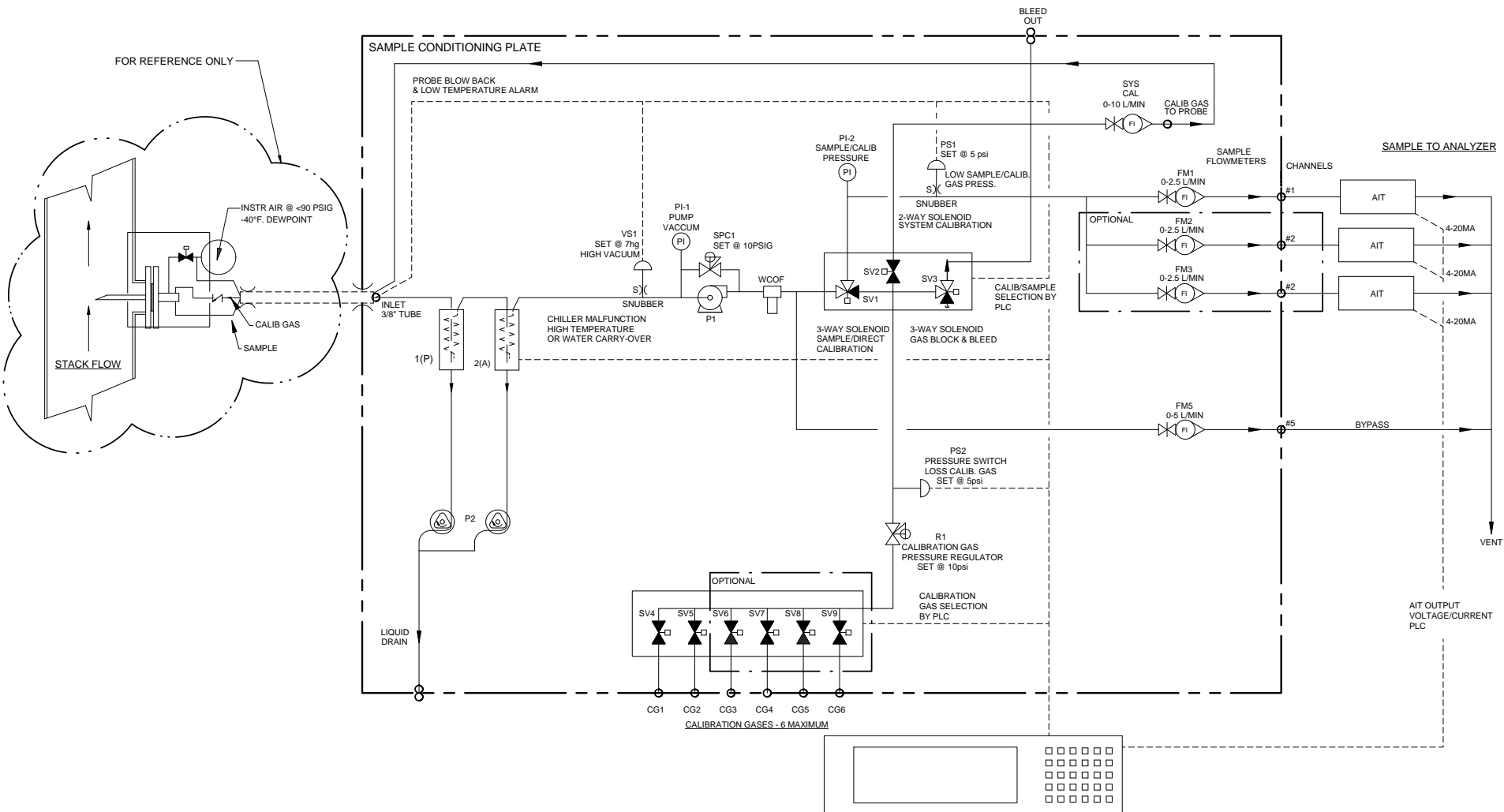
Item	Qty	Description	UAI Part No.
VS1	1	Vacuum Switch Air-Logic 0-29"hg	3103-0017
WCOF	1	Water Carry Over Moisture Sensor	WCOF-4980-0007
PI-1	1	Gauge - Vacuum 0-30"Hg Liquid Filled S.S.	3019-0009
SPC1	1	Sample Pressure Controller	4955-0246
P1	1	Pump - Sample 115Vac Single Head	4958-0025
P1	1	Pump - Sample 230Vac Single Head	4958-0015
PS1,2	2	Pressure Switch Air-Logic F-5100-15 15psig	3103-0018
SV1,3	2	Solenoid Valve-Burkert 6012SER	4955-0041
SV2	1	Solenoid Valve-Burkert 6011SER 85psig	4955-0040
SV4-9	6	Solenoid Valve-Asco	4955-0247
PI-2	1	Gauge - Pressure 0-15psig Liquid Filled S.S.	3019-0008
SYS CAL	1	Flowmeter W/Needle Valve 0-10 l/m	4965-0007
FM1-4	4	Flowmeter W/Needle Valve 0-2.5 l/m	4965-0018
FM5	1	Flowmeter W/Needle Valve 0-5 l/m	4965-0008
CHILLER	1	Universal Analyzers Model 624	624
R1	1	Regulator - Porter Model #8268 0-30psig	8200-0008
S	1	Snubber - #6-32	0000-0000
P2	1	Pump - Peristaltic Drain 115Vac Single Head	4958-0011
P2	1	Pump - Peristaltic Drain 230Vac Single Head	4958-0013



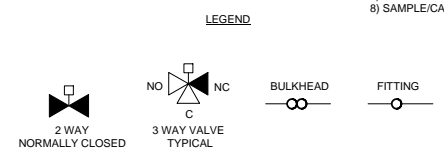
- PLC OR DATA LOGGER**
- 1) CALIBRATION/SAMPLE SELECT
  - 2) CALIBRATION GAS SELECT
  - 3) SYSTEM/DIRECT CALIBRATION SELECT-SYSTEM BIAS CALCULATION
  - 4) PROBE BLOW BACK
  - 5) PROBE LOW TEMPERATURE ALARM
  - 6) CHILLER MALFUNCTION-HIGH TEMPERATURE OR WATER CARRY-OVER
  - 7) HIGH INLET VACUUM - PROBE FILTER INITIATE BLOWBACK OR MAINTENANCE
  - 8) SAMPLE/CALIB. GAS PRESS LOW-ALARM FOR MAINTENANCE

**NOTES:**  
 1. ALL FITTINGS 1/4" TUBE (UNLESS OTHERWISE NOTED).

		5000 Corvair Drive Carson City, NV 89706 PH(775)883-2500 FAX (775)883-6888	- 09/18/13 Initial Release	MY MW
<b>Model SCP W/ 624 P&amp;ID</b>		REV. DATE DESCRIPTION	REVISIONS	
PART NO. 600-SCP-INT	FOR 600 Series	DATE 09/19/2013	SCALE NTS	SIZE D
DRAWN BY M. Walser		ECHO	SHEET 2 OF 5	DRAWING NO. P2012
APVD BY M. Withrow		1801		



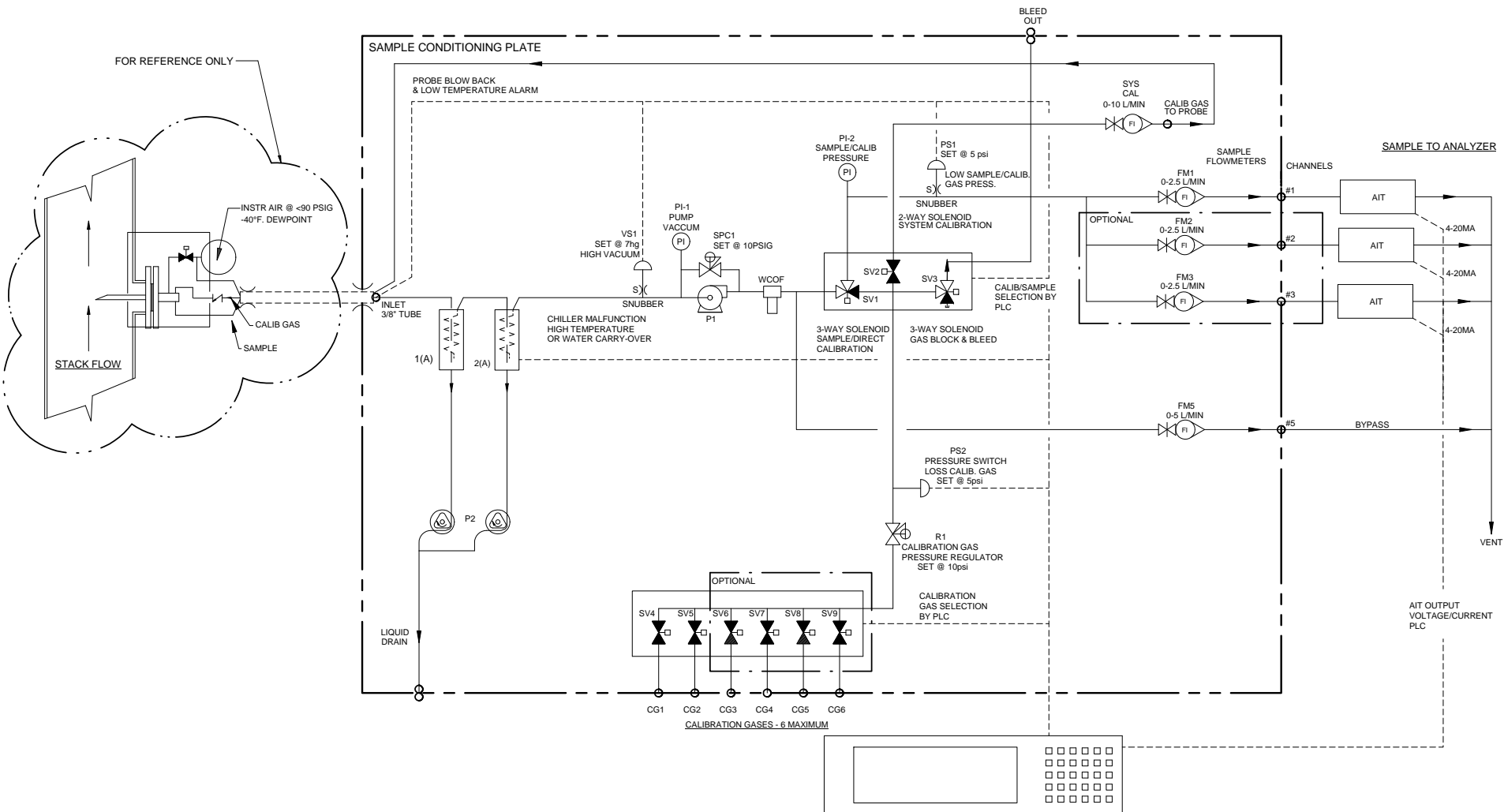
Item	Qty	Description	UAI Part No.
VS1	1	Vacuum Switch Air-Logic 0-29"hg	3103-0017
WCOF	1	Water Carry Over Moisture Sensor	WCOF-4980-0007
PI-1	1	Gauge - Vacuum 0-30"Hg Liquid Filled S.S.	3019-0009
SPC1	1	Sample Pressure Controller	4955-0246
P1	1	Pump - Sample 115Vac Single Head	4958-0025
P1	1	Pump - Sample 230Vac Single Head	4958-0015
PS1,2	2	Pressure Switch Air-Logic F-5100-15 15psig	3103-0018
SV1,3	2	Solenoid Valve-Burkert 6012SER	4955-0041
SV2	1	Solenoid Valve-Burkert 6011SER 85psig	4955-0040
SV4-9	2-6	Solenoid Valve-Asco	4955-0247
PI-2	1	Gauge - Pressure 0-15psig Liquid Filled S.S.	3019-0008
SYS CAL	1	Flowmeter W/Needle Valve 0-10 l/m	4965-0007
FM1-4	4	Flowmeter W/Needle Valve 0-2.5 l/m	4965-0018
FM5	1	Flowmeter W/Needle Valve 0-5 l/m	4965-0008
CHILLER	1	Universal Analyzers Model 634	634
R1	1	Regulator - Porter Model #8268 0-30psig	8200-0008
S1	1	Snubber - #6-32	0000-0000
P2	1	Pump - Peristaltic Drain 115Vac Dual Head	4958-0012
P2	1	Pump - Peristaltic Drain 230Vac Dual Head	4958-0035



- PLC OR DATA LOGGER**
- 1) CALIBRATION/SAMPLE SELECT
  - 2) CALIBRATION GAS SELECT
  - 3) SYSTEM/DIRECT CALIBRATION SELECT-SYSTEM BIAS CALCULATION
  - 4) PROBE BLOW BACK
  - 5) PROBE LOW TEMPERATURE ALARM
  - 6) CHILLER MALFUNCTION-HIGH TEMPERATURE OR WATER CARRY-OVER
  - 7) HIGH INLET VACUUM - PROBE FILTER INITIATE BLOWBACK OR MAINTENANCE
  - 8) SAMPLE/CALIB. GAS PRESS LOW-ALARM FOR MAINTENANCE

**NOTES:**  
 1. ALL FITTINGS 1/4" TUBE (UNLESS OTHERWISE NOTED).

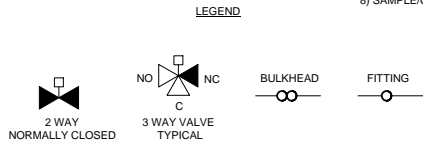
		5000 Corvax Drive Carson City, NV 89706 PH(775)883-2500 FAX (775)883-6888 09/18/13 Initial Release REV. DATE DESCRIPTION 09/19/2013 M. Walser NTS APVD BY M. Walser APVD BY M. Withrow	MY MW DWN/DPVD SHEET 3 OF 5 DRAWING NO. P2012
<b>Model SCP W/ 634 P&amp;ID</b>			
PART NO. 600-SCP-INT	FOR 600 Series	SCALE NTS	SIZE D ECH 1801



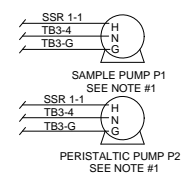
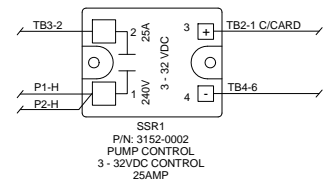
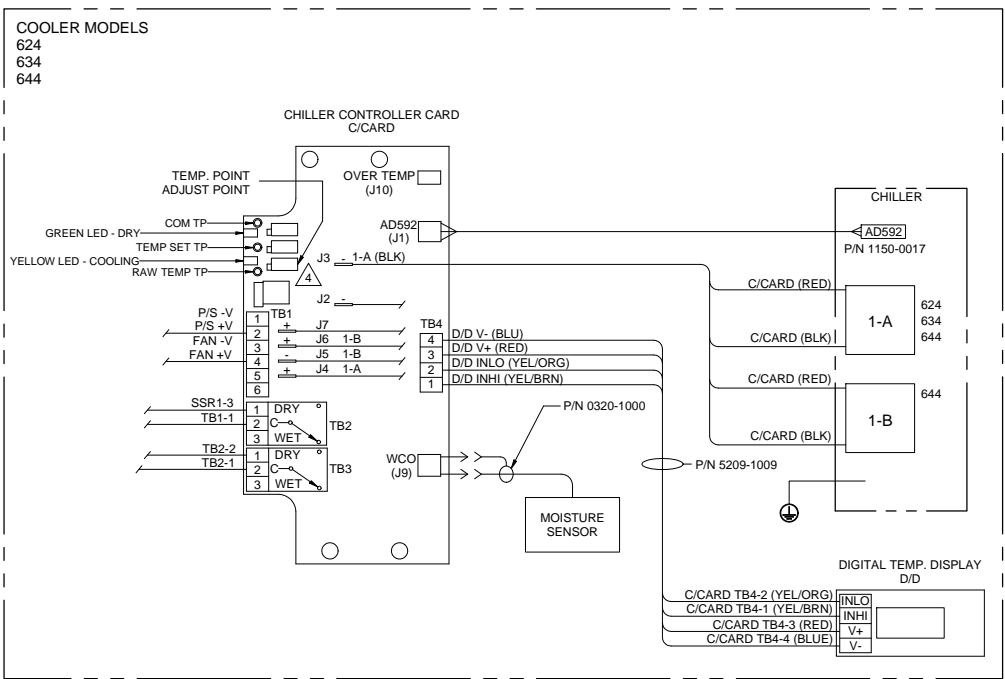
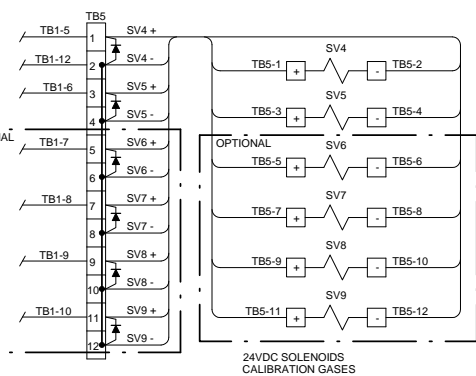
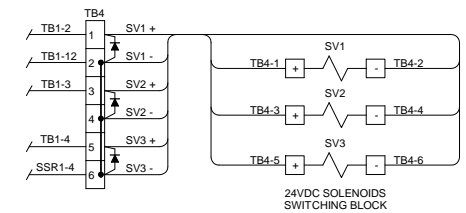
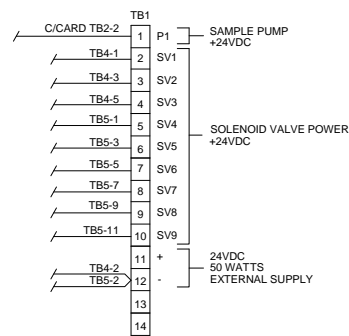
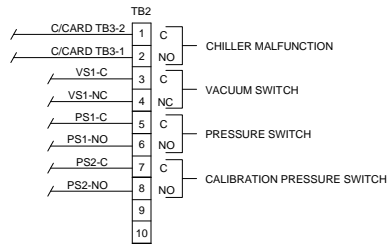
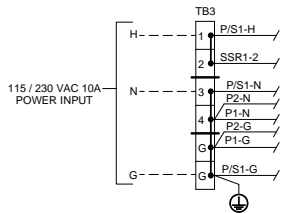
- PLC OR DATA LOGGER
- 1) CALIBRATION/SAMPLE SELECT
  - 2) CALIBRATION GAS SELECT
  - 3) SYSTEM/DIRECT CALIBRATION SELECT-SYSTEM BIAS CALCULATION
  - 4) PROBE BLOW BACK
  - 5) PROBE LOW TEMPERATURE ALARM
  - 6) CHILLER MALFUNCTION-HIGH TEMPERATURE OR WATER CARRY-OVER
  - 7) HIGH INLET VACUUM - PROBE FILTER INITIATE BLOWBACK OR MAINTENANCE
  - 8) SAMPLE/CALIB. GAS PRESS LOW-ALARM FOR MAINTENANCE

NOTES:  
 1. ALL FITTINGS 1/4" TUBE (UNLESS OTHERWISE NOTED).

Item	Qty	Description	UAI Part No.
VS1	1	Vacuum Switch Air-Logic 0-29"hg	3103-0017
WCOF	1	Water Carry Over Moisture Sensor	WCOF-4980-0007
PI-1	1	Gauge - Vacuum 0-30"Hg Liquid Filled S.S.	3019-0009
SPC1	1	Sample Pressure Controller	4955-0246
P1	1	Pump - Sample 115Vac Single Head	4958-0025
P1	1	Pump - Sample 230Vac Single Head	4958-0015
PS1,2	2	Pressure Switch Air-Logic F-5100-15 15psig	3103-0018
SV1,3	2	Solenoid Valve-Burkert 6012SER	4955-0041
SV2	1	Solenoid Valve-Burkert 6011SER 85psig	4955-0040
SV4-9	2-6	Solenoid Valve-Asco	4955-0247
PI-2	1	Gauge - Pressure 0-15psig Liquid Filled S.S.	3019-0008
SYS CAL	1	Flowmeter W/Needle Valve 0-10 l/m	4965-0007
FM1-3	3	Flowmeter W/Needle Valve 0-2.5 l/m	4965-0018
FM5	1	Flowmeter W/Needle Valve 0-5 l/m	4965-0008
CHILLER	1	Universal Analyzers Model 644	644
R1	1	Regulator - Porter Model #8268 0-30psig	8200-0008
S1	1	Snubber - #8-32	0000-0000
P2	1	Pump - Peristaltic Drain 115Vac Dual Head	4958-0012
P2	1	Pump - Peristaltic Drain 230Vac Dual Head	4958-0035



		09/18/13	Initial Release	MY	MW
Model SCP W/ 644 P&ID		REV. DATE	DESCRIPTION	DWN/APVD	
PART NO. 600-SCP-INT		DATE 09/19/2013	SCALE NTS	SIZE D	SHEET 4 OF 5
FOR 600 Series		DRAWN BY M. Walser	ECCO	1801	DRAWING NO. P2012
		APVD BY M. Withrow			



**CONDUIT AND WIRING NOTES**

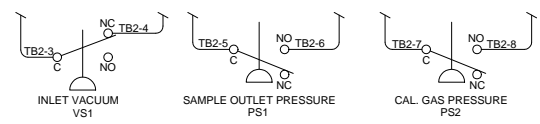
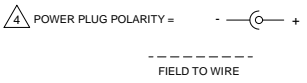
1. ELECTRICAL CLASSIFICATION : INSIDE - GENERAL PURPOSE SYSTEM IS CONFIGURED AT THE FACTORY FOR REQUIRED VOLTAGE. CONTACT FACTORY FOR VOLTAGE CHANGE REQUIREMENTS.

2. AC WIRING SHALL BE INDIVIDUAL CONDUCTORS OF STRANDED TINNED COPPER WITH 300V, TYPE TFE INSULATION. MINIMUM WIRE SIZE SHALL BE 18 AWG UNLESS OTHERWISE SPECIFIED. COLOR CODE SHALL BE AS FOLLOWS:

115VAC		230VAC	
HOT	- BLACK	L1	- BROWN
NEUTRAL	- WHITE	L2	- BLUE
GROUND	- GREEN	G	- GREEN

3. DC WIRING SHALL BE INDIVIDUAL CONDUCTORS OF STRANDED TINNED COPPER WITH 300V, TYPE TFE INSULATION. MINIMUM WIRE SIZE SHALL BE 22 AWG UNLESS OTHERWISE SPECIFIED.

115VAC		230VAC	
+	- RED	+VDC	- RED
0V	- BLUE	-VDC	- BLACK



		5000 Corvair Drive Carson City, NV 89706 PH(775)883-2500 FAX (775)883-6888	
REV	DATE	DESCRIPTION	DWN/APPV
-	09/18/13	Initial Release	MY MW
REVISIONS			
DATE	SCALE	SIZE	SHEET
09/19/2013	NTS	D	5 OF 5
DRAWN BY M. Walser		ECCO	DRAWING NO.
APVD BY M. Withrow		1801	P2012
600 Series Wiring Schematic			
PART NO.	FOR		
600-SCP-INT	600 Series		