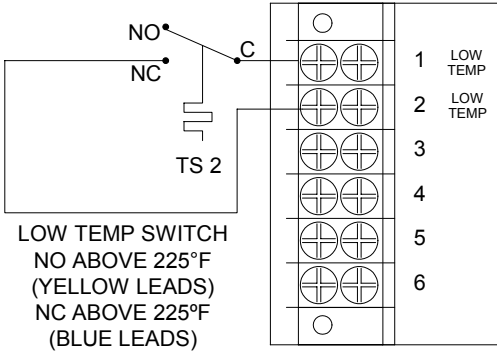
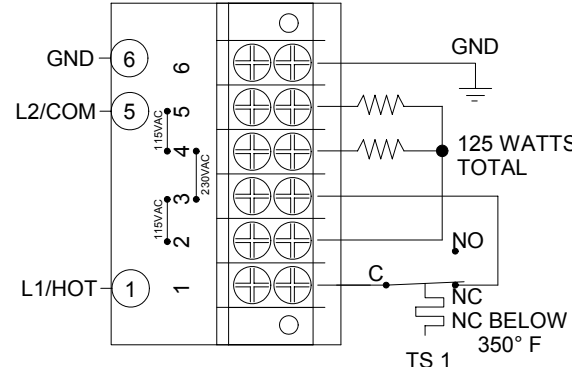


FRONT VIEW
(LID REMOVED FOR CLARITY)

TB2
ALARM WIRING



TB1
INPUT POWER WIRING



INTERNAL WIRING



— NOTICE —
REVISION OF THIS DOCUMENT
MUST BE AUTHORIZED BY
APPROPRIATE APPROVAL AGENCIES

SPARE PARTS LIST		
REQ'D	DESCRIPTION	P/N
1	2-216 O-RING VITON	4904-0016
2	2-208 O-RING VITON	4904-0015
1	CHECK VALVE	4955-0003

REV	DATE	DESCRIPTION	BY	APPROVED
E	06/25/03	Revised Temp. Switch Ratings, O-Ring 2-216 was 2-218	RPH	TB
D			DWN	APVD

MODEL 277S NEMA 7 STACK FILTER OUTLINE	
PART NO.	FOR
SEE TABLE	INSTRUMENT
UNIVERSAL ANALYZERS INC.	
1701 South SutroTerrace Carson City, Nevada 89706 USA	
DRAWN BY: E. Masson	DRAWING NO: P0191
APVD BY: H. Mitchell	
DATE: 11/07/1996	SCALE: 1:1
SIZE: D	SHEET: 1 OF 1