

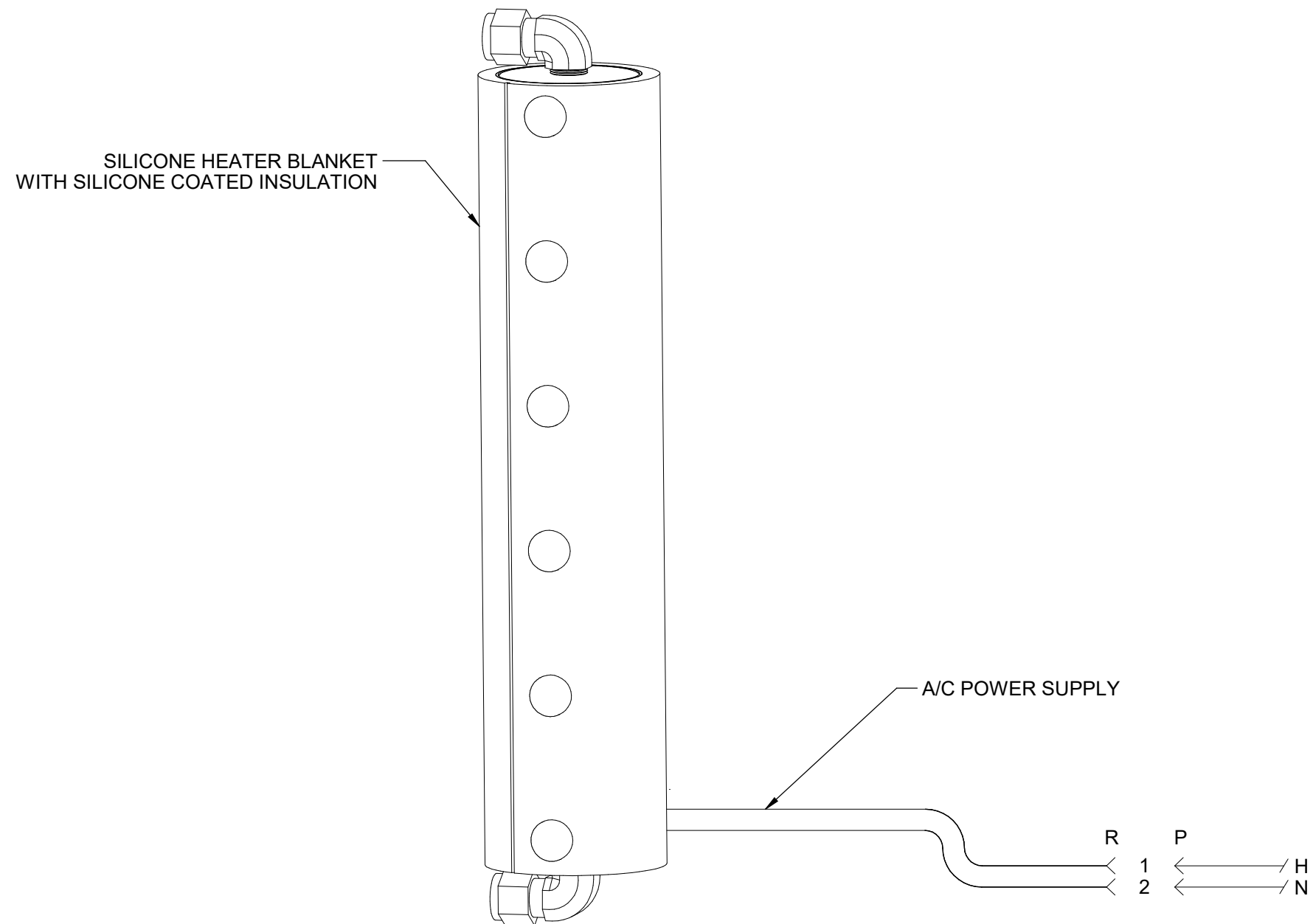
**MEDIA REPLACEMENT:**

- A. UNSCREW BUSHING ON THE BOTTOM OF HOUSING.
- B. SEPARATE HOUSING AND BOTTOM CAP.
- C. REMOVE OLD MEDIA AND DISPOSE OF PROPERLY.
- D. POUR IN 50CC OF SCRUBBING MEDIA, PART "B".
- E. REPLACE STAINLESS STEEL SCREEN ON TOP OF MEDIA.
- F. FILL HOUSING WITH 150CC OF BERL SADDLES, PART "A". (TAP HOUSING TO ALLOW MATERIAL TO SETTLE).
- G. CLEAN O-RINGS IN BUSHINGS AND REPLACE WHEN NECESSARY.
- H. REPLACE AND TIGHTEN BUSHING FINGER TIGHT (DO NOT OVERTIGHTEN).
- I. ALLOW HEATER JACKET TO RUN FOR 15-20 MINUTES BEFORE STARTING SAMPLE FLOW.



**NOTES:**

- 1). THE AMMONIA SCRUBBER PERFORMANCE VARIES DEPENDING ON THE CONCENTRATION OF AMMONIA AND FLOWRATE OF THE GAS SAMPLE.  
AT A FLOWRATE OF 1 LPM AND 1 PPM OF AMMONIA, MEDIA SHOULD LAST 40,000 HOURS.
- 2 REMOVE PLUGS FOR INSTALLATION. FERRULES AND NUTS PROVIDED IN SEPERATE BAG FOR PROCESS CONNECTION TO 3/8" TUBE.

		G	10/18/17	REMOVE SWITCH & ADD MOLEX	CS	TT
<b>AMMONIA SCRUBBER - SS</b>		REV	DATE	DESCRIPTION	DWN/APVD	
PART NO. 4980-1035		DATE 11/25/2009		SCALE NTS	SIZE D	SHEET 1 OF 2
FOR INSTRUMENT		DRAWN BY M. Walser	APVD BY T. Morgan	ECO# 2494	DRAWING NO. P1513	



PART NUMBER LIST		
Voltage	Heater Part Number	Assembly Part Number
115	3014-1044	4980-1036
230	3014-1051	4980-1083

				G	10/18/17	REMOVE SWITCH & ADD MOLEX	CS	TT
<b>AMMONIA SCRUBBER SS - HEATED</b>		<b>REVISIONS</b>		REV	DATE	DESCRIPTION	DWN/APVD	
PART NO. SEE TABLE		FOR INSTRUMENT		DATE	SCALE	SIZE	SHEET	
				11/25/2009	NTS	D	2 OF 2	
				DRAWN BY	ECO#	DRAWING NO.		
				M. Walser	2494	P1513		
				APVD BY				
				T. Morgan				