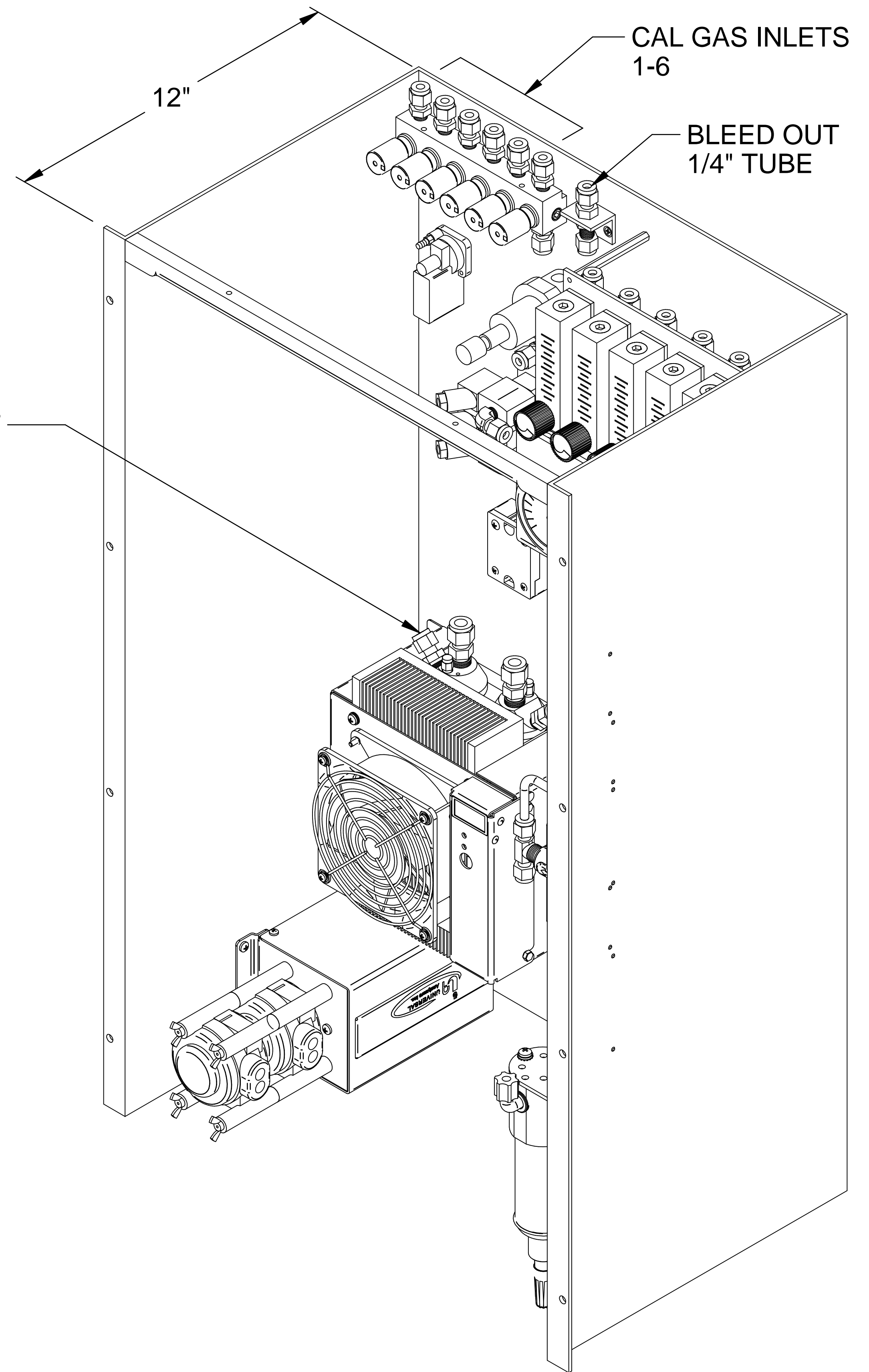


FRONT VIEW



NOTES:

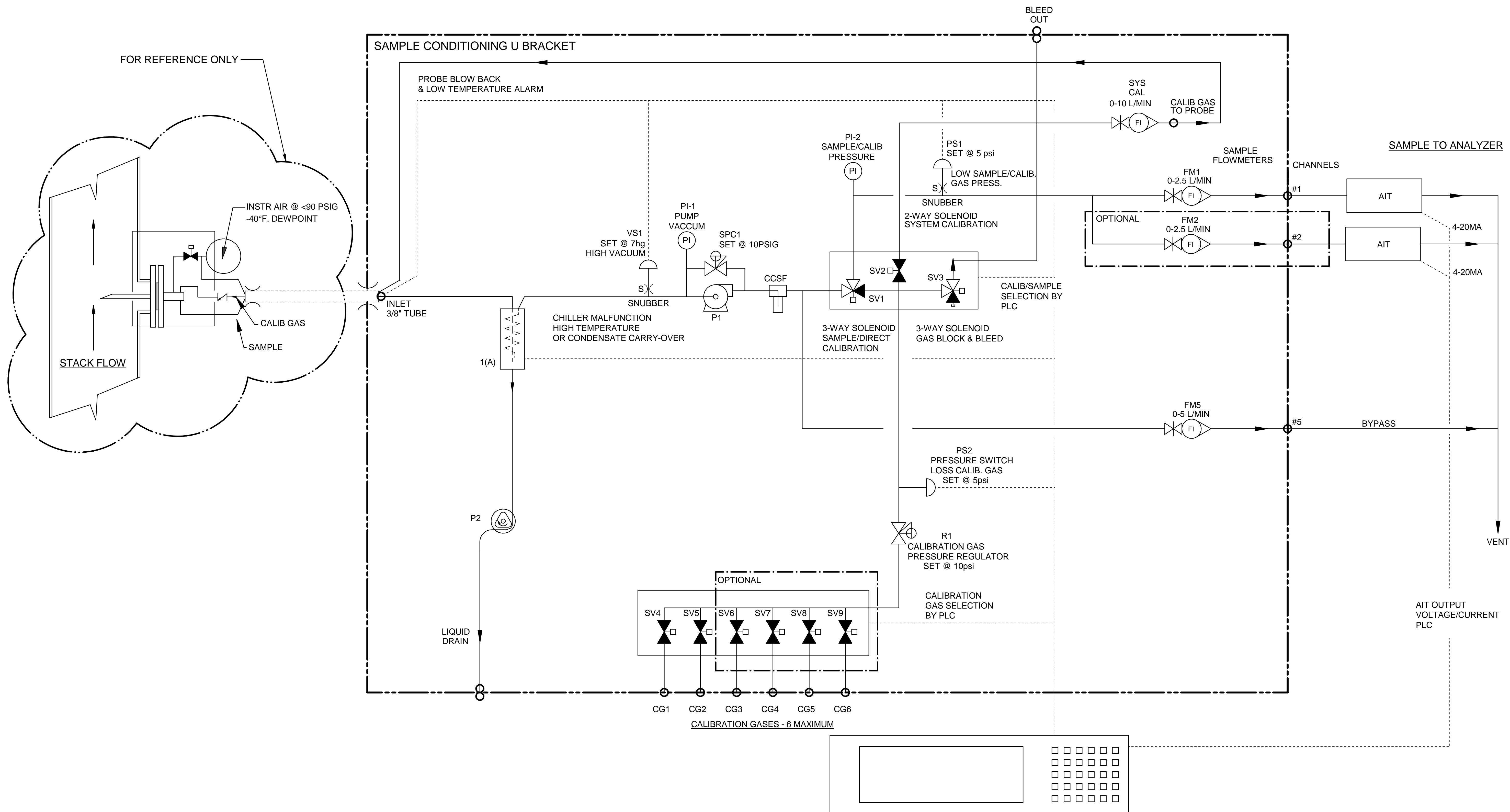
- 1). ARRANGEMENT MAY VARY ACCORDING TO BEST ENGINEERING PRACTICES.
- 2). SEE SHEET 2, 3, & 4 FOR P&ID.
- 3). SEE SHEET 5 FOR WIRING SCHEMATICS.

SAMPLE INLET  
3/8" TUBE

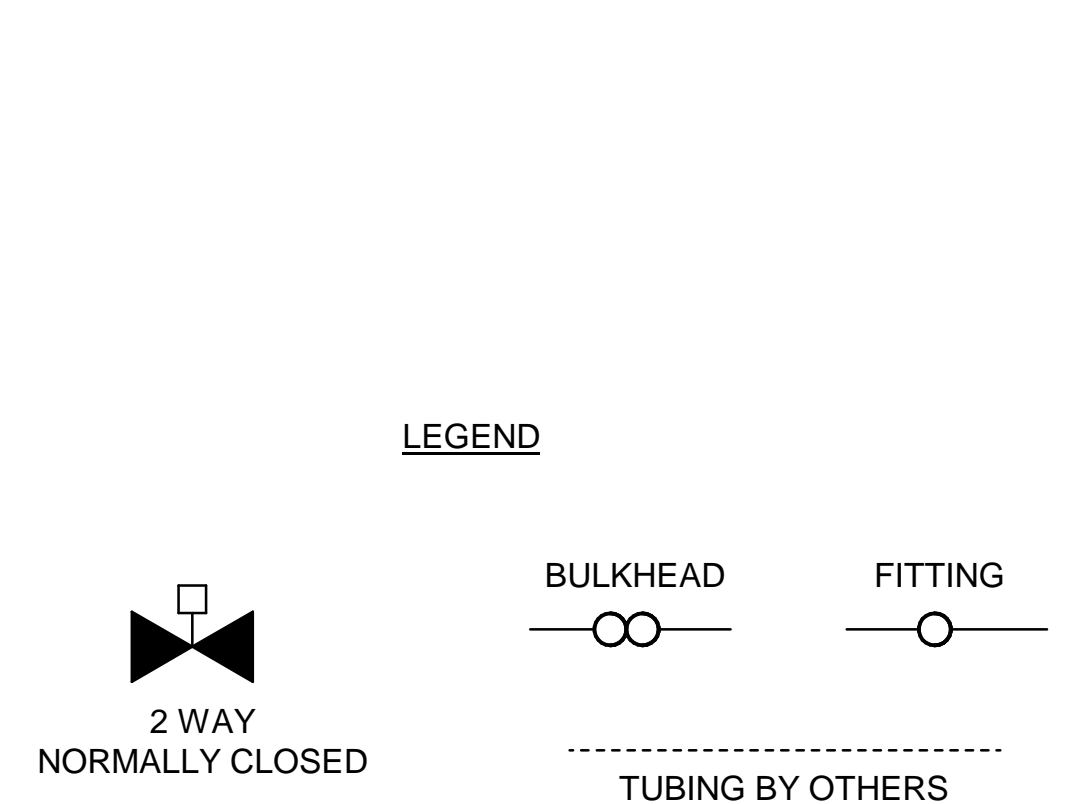


ISOMETRIC VIEW

				A	5-4-16	AS BUILT	CK	MW
<b>600 SERIES</b> <b>ARRANGMENT &amp; LAYOUT DIMENSIONS</b>				REV	DATE	DESCRIPTION	DWN/APVD	
PART NO. 600-SCU-INT		FOR 600 Series		DATE 08/12/2014		SCALE NTS	SIZE D	SHEET 1 OF 5
				DRAWN BY M. Walser		ECO# 2809	DRAWING NO. P2134	
				APVD BY M. Withrow				



Item	Qty	Description	UAI Part No.
VS1	1	Vacuum Switch Air-Logic 0-29"hg	3103-0017
CCSF	1	Condensate Sensor	CCSF-0007
PI-1	1	Gauge - Vacuum 0-30"Hg Liquid Filled S.S.	3019-0009
SPC1	1	Sample Pressure Controller	4955-0246
P1	1	Pump - Sample 115Vac Single Head	4958-0025
P1	1	Pump - Sample 230Vac Single Head	4958-0015
PS1,2	2	Pressure Switch Air-Logic F-5100-15 15psig	3103-0018
SV1,3	2	Solenoid Valve - Burkert 6012SER	4955-0041
SV2	1	Solenoid Valve - Burkert 6011SER 85psig	4955-0040
SV4-9	2-6	Solenoid Valve - 2 Way	4955-0247
PI-2	1	Gauge - Pressure 0-15psig Liquid Filled S.S.	3019-0008
SYS CAL	1	Flowmeter W/Needle Valve 0-10 l/m	4965-0007
FM1-2	2	Flowmeter W/Needle Valve 0-2.5 l/m	4965-0018
FM4	1	Flowmeter W/Needle Valve 0-5 l/m	4965-0008
CHILLER	1	Universal Analyzers Model 624	624
R1	1	Regulator - Porter Model #8268 0-30psig	8200-0008
S)	1	Snubber - #6-32	0000-0000
P2	1	Pump - Peristaltic Drain 115Vac	4958-0028
P2	1	Pump - Peristaltic Drain 230Vac	4958-0045

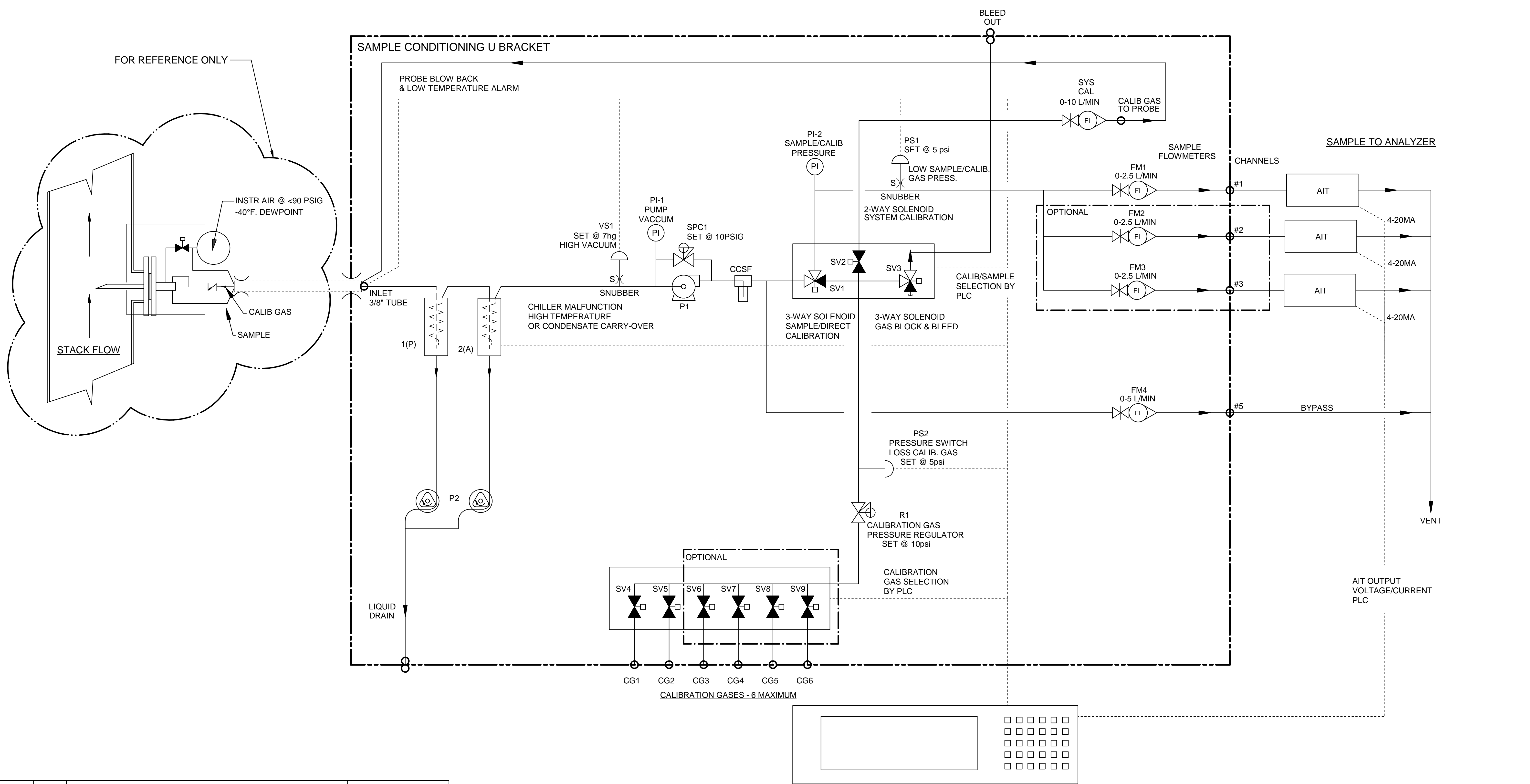


- PLC OR DATA LOGGER**
- 1) CALIBRATION/SAMPLE SELECT
  - 2) CALIBRATION GAS SELECT
  - 3) SYSTEM/DIRECT CALIBRATION SELECT-SYSTEM BIAS CALCULATION
  - 4) PROBE BLOW BACK
  - 5) PROBE LOW TEMPERATURE ALARM
  - 6) CHILLER MALFUNCTION-HIGH TEMPERATURE OR CONDENSATE CARRY-OVER
  - 7) HIGH INLET VACUUM - PROBE FILTER INITIATE BLOWBACK OR MAINTENANCE
  - 8) SAMPLE/CALIB. GAS PRESS LOW-ALARM FOR MAINTENANCE

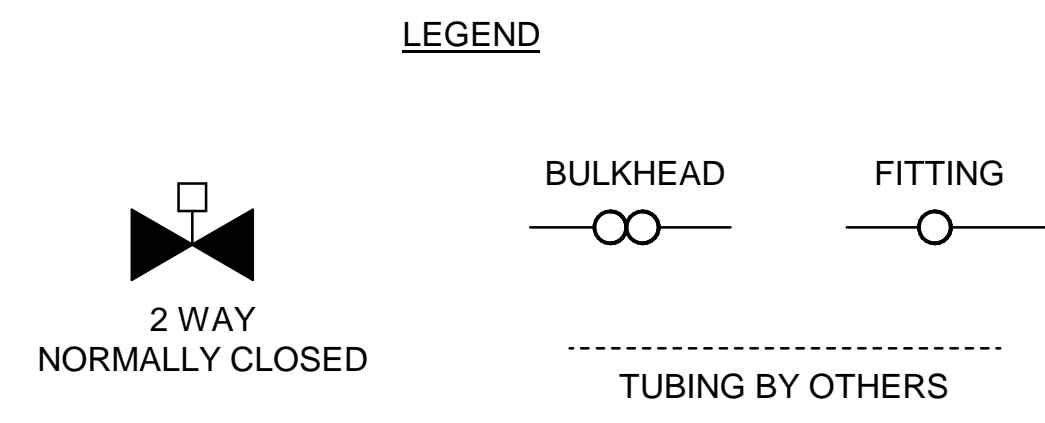
**NOTES:**

1. ALL FITTINGS 1/4" TUBE (UNLESS OTHERWISE NOTED).

			A	5-4-16	AS BUILT	CK	MW
<b>624 SCU P&amp;ID</b>		DATE 08/12/2014		SCALE NTS		SIZE D	
PART NO. 600-SCU-INT		FOR 600 Series		DRAWN BY M. Walser		ECO# 2809	
		APVD BY M. Withrow		SHEET 2 OF 5		DRAWING NO. P2134	



Item	Qty	Description	UAI Part No.
VS1	1	Vacuum Switch Air-Logic 0-29"hg	3103-0017
CCSF	1	Condensate Sensor	CCSF-0007
PI-1	1	Gauge - Vacuum 0-30"Hg Liquid Filled S.S.	3019-0009
SPC1	1	Sample Pressure Controller	4955-0246
P1	1	Pump - Sample 115Vac Single Head	4958-0025
P1	1	Pump - Sample 230Vac Single Head	4958-0015
PS1,2	2	Pressure Switch Air-Logic F-5100-15 15psig	3103-0018
SV1,3	2	Solenoid Valve - Burkert 6012SER	4955-0041
SV2	1	Solenoid Valve - Burkert 6011SER 85psig	4955-0040
SV4-9	2-6	Solenoid Valve 2 Way	4955-0247
PI-2	1	Gauge - Pressure 0-15psig Liquid Filled S.S.	3019-0008
SYS CAL	1	Flowmeter W/Needle Valve 0-10 l/m	4965-0007
FM1-3	3	Flowmeter W/Needle Valve 0-2.5 l/m	4965-0018
FM4	1	Flowmeter W/Needle Valve 0-5 l/m	4965-0008
CHILLER	1	Universal Analyzers Model 634	634
R1	1	Regulator - Porter Model #8268 0-30psig	8200-0008
S)	1	Snubber - #6-32	0000-0000
P2	1	Pump - Peristaltic Drain 115Vac	4958-0028
P2	1	Pump - Peristaltic Drain 230Vac	4958-0045

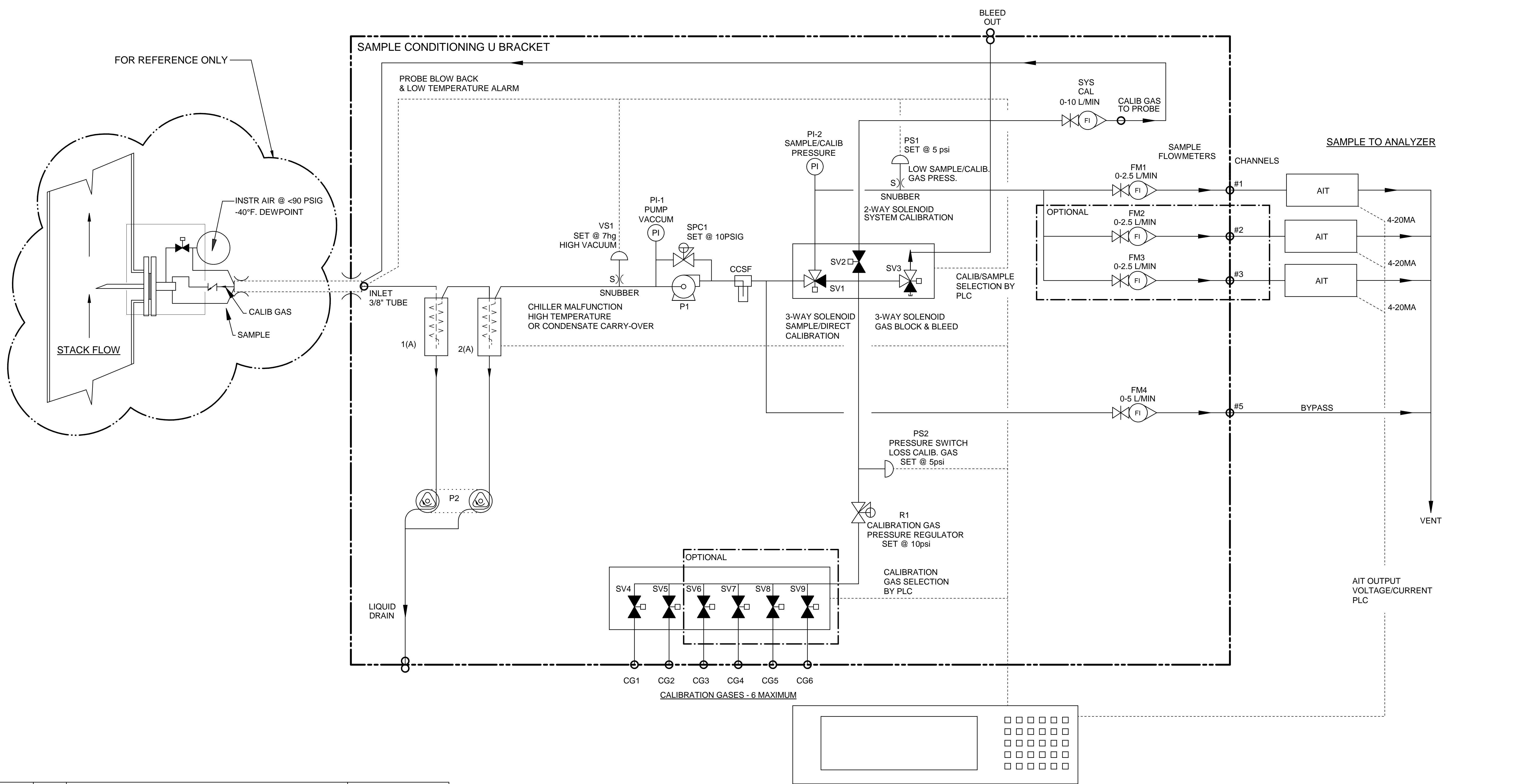


- PLC OR DATA LOGGER**
- 1) CALIBRATION/SAMPLE SELECT
  - 2) CALIBRATION GAS SELECT
  - 3) SYSTEM/DIRECT CALIBRATION SELECT-SYSTEM BIAS CALCULATION
  - 4) PROBE BLOW BACK
  - 5) PROBE LOW TEMPERATURE ALARM
  - 6) CHILLER MALFUNCTION-HIGH TEMPERATURE OR CONDENSATE CARRY-OVER
  - 7) HIGH INLET VACUUM - PROBE FILTER INITIATE BLOWBACK OR MAINTENANCE
  - 8) SAMPLE/CALIB. GAS PRESS LOW-ALARM FOR MAINTENANCE

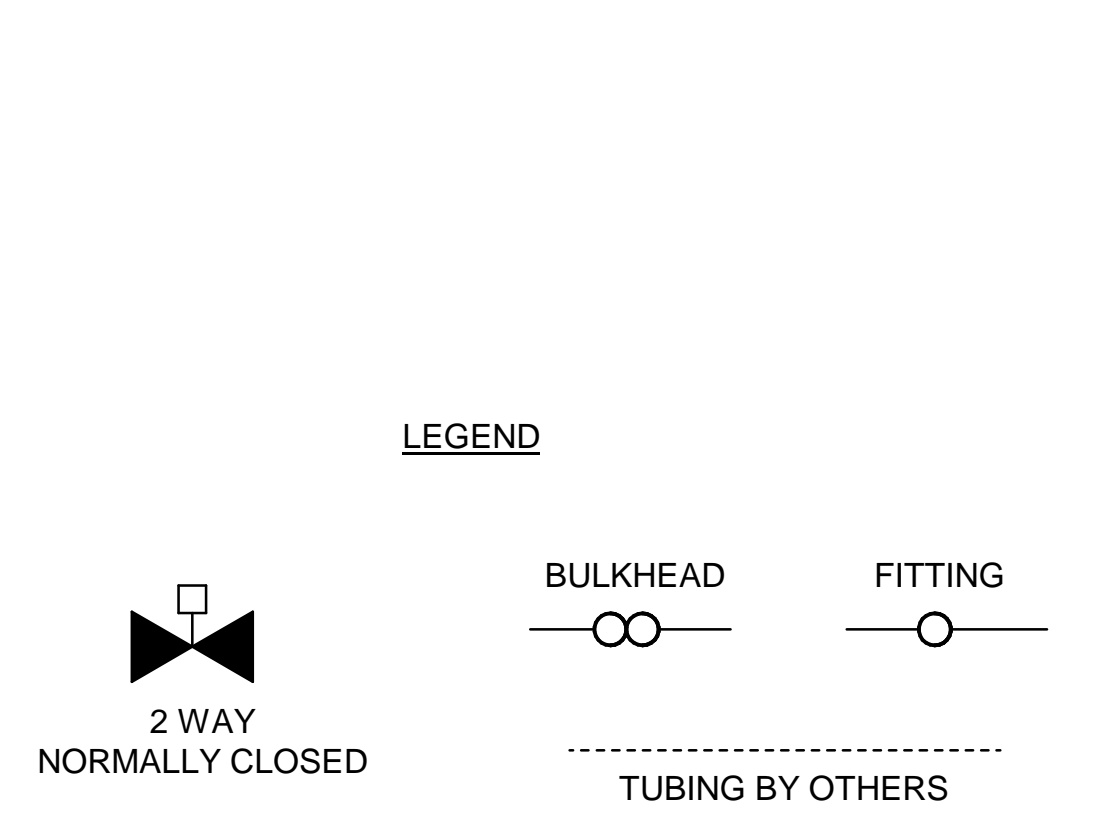
**NOTES:**

1. ALL FITTINGS 1/4" TUBE (UNLESS OTHERWISE NOTED).

				A	5-4-16	AS BUILT	CK	MW
<b>634 SCU P&amp;ID</b>		600-SCU-INT		REV	DATE	DESCRIPTION	DWN/APVD	
PART NO. 600-SCU-INT		FOR 600 Series		DATE 08/12/2014		SCALE NTS	SIZE D	SHEET 3 OF 5
DRAWN BY M. Walser		APVD BY M. Withrow		ECO# 2809		DRAWING NO. P2134		



Item	Qty	Description	UAI Part No.
VS1	1	Vacuum Switch Air-Logic 0-29"hg	3103-0017
CCSF	1	Condensate Sensor	CCSF-0007
PI-1	1	Gauge - Vacuum 0-30"Hg Liquid Filled S.S.	3019-0009
SPC1	1	Sample Pressure Controller	4955-0246
P1	1	Pump - Sample 115Vac Single Head	4958-0025
P1	1	Pump - Sample 230Vac Single Head	4958-0015
PS1,2	2	Pressure Switch Air-Logic F-5100-15 15psig	3103-0018
SV1,3	2	Solenoid Valve - Burkert 6012SER	4955-0041
SV2	1	Solenoid Valve - Burkert 6011SER 85psig	4955-0040
SV4-9	2-6	Solenoid Valve - 2 Way	4955-0247
PI-2	1	Gauge - Pressure 0-15psig Liquid Filled S.S.	3019-0008
SYS CAL	1	Flowmeter W/Needle Valve 0-10 l/m	4965-0007
FM1-3	3	Flowmeter W/Needle Valve 0-2.5 l/m	4965-0018
FM4	1	Flowmeter W/Needle Valve 0-5 l/m	4965-0008
CHILLER	1	Universal Analyzers Model 644	644
R1	1	Regulator - Porter Model #8268 0-30psig	8200-0008
S)	1	Snubber - #6-32	0000-0000
P2	1	Pump - Peristaltic Drain 115Vac	4958-0028
P2	1	Pump - Peristaltic Drain 230Vac	4958-0045

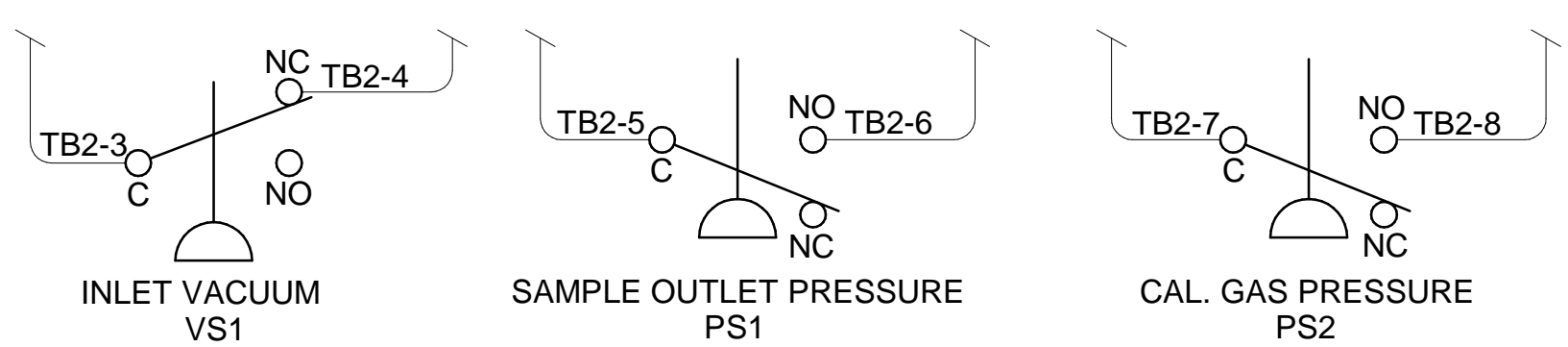
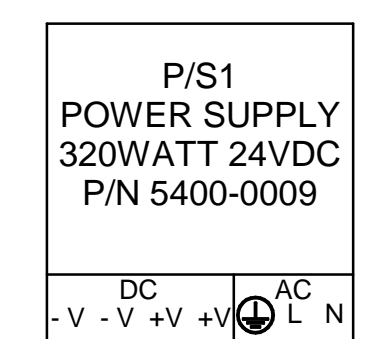
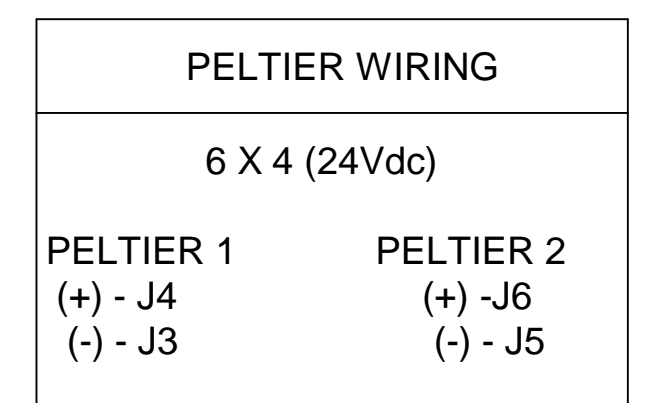
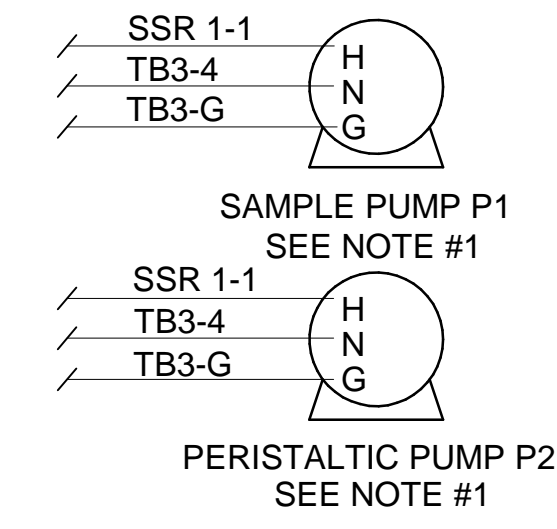
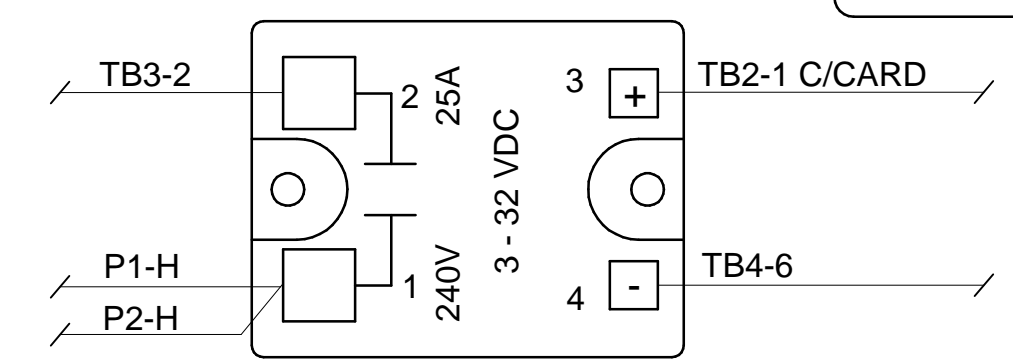
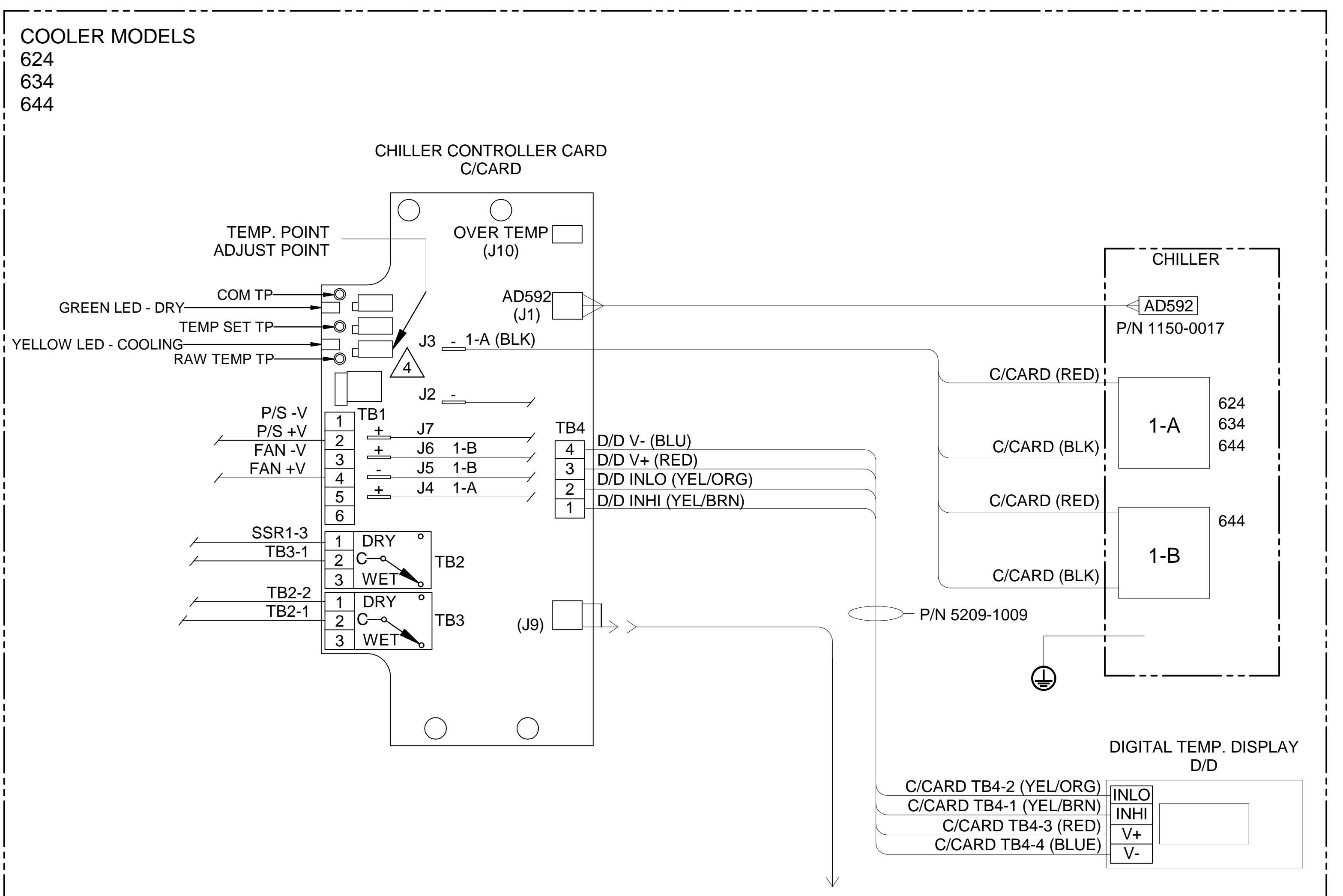
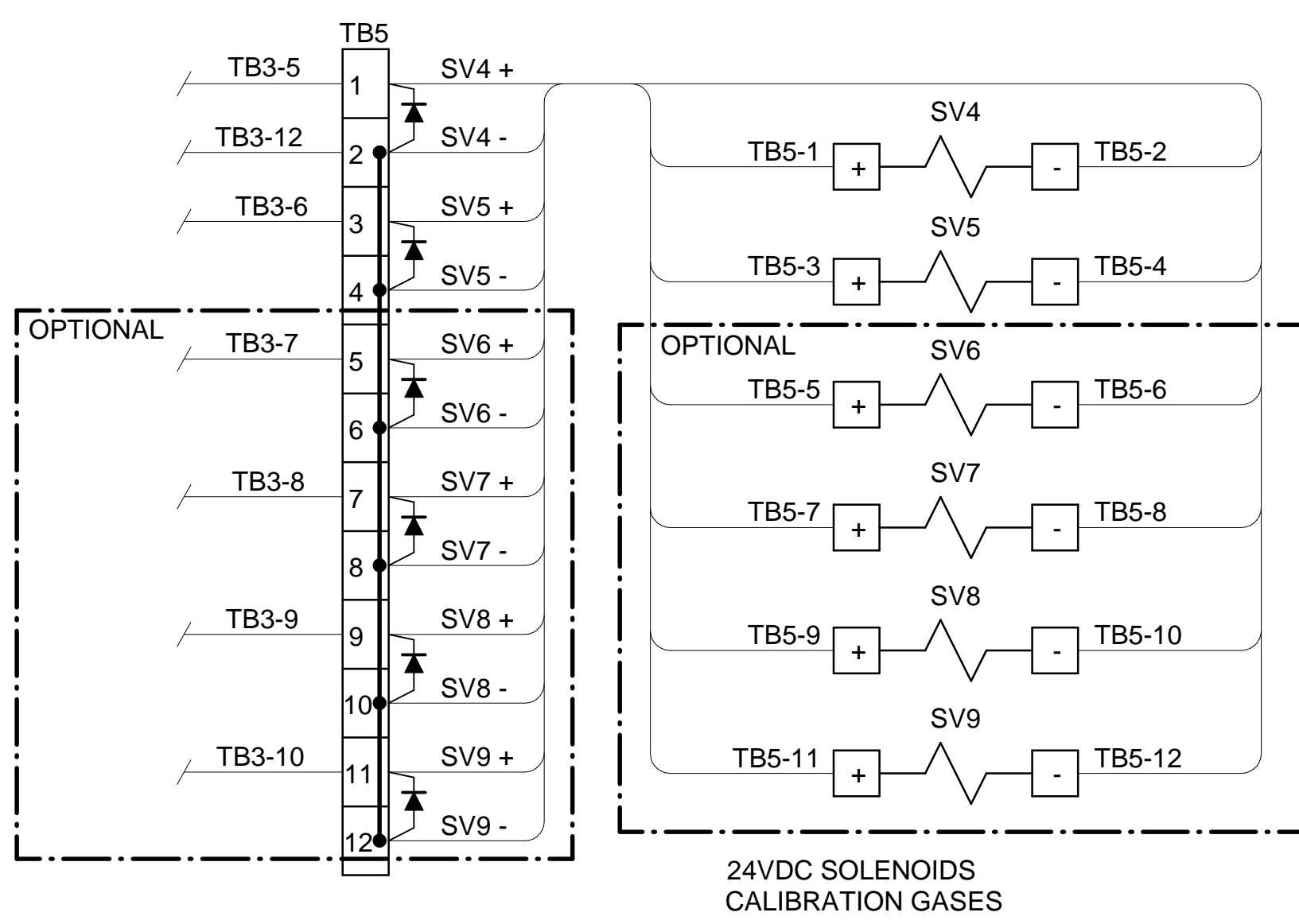
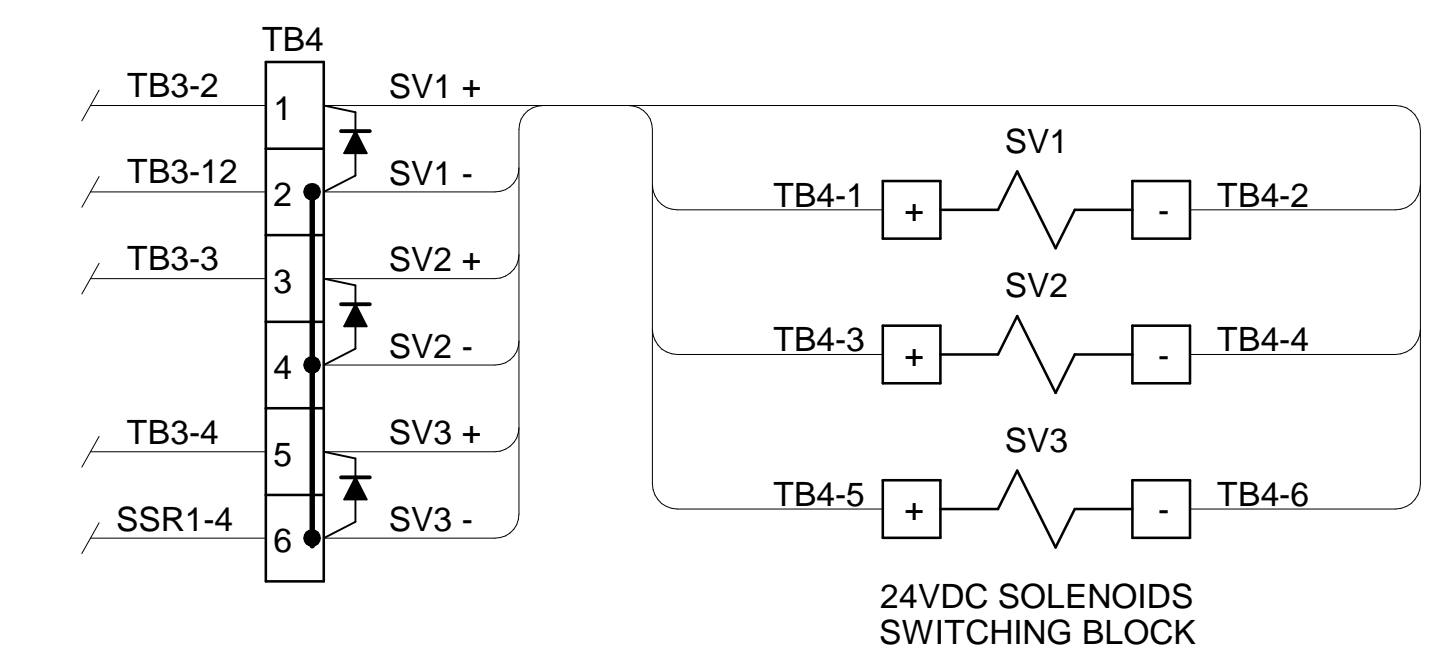
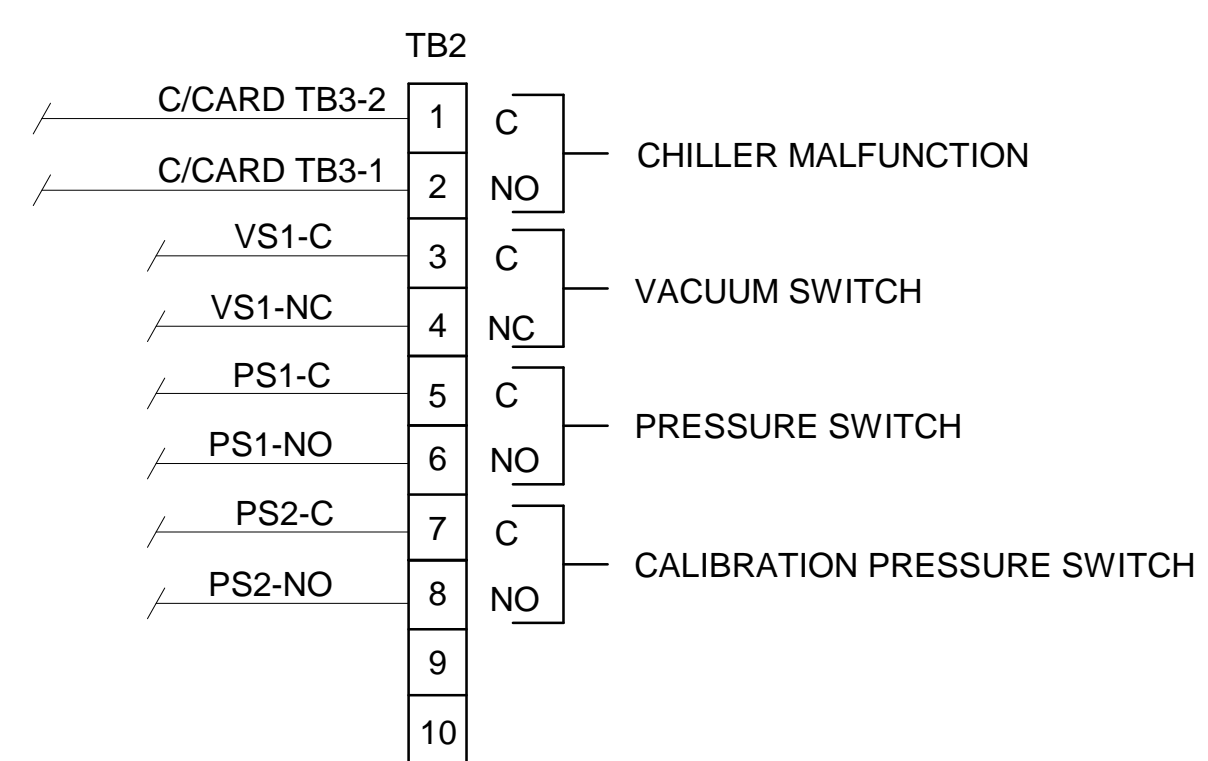
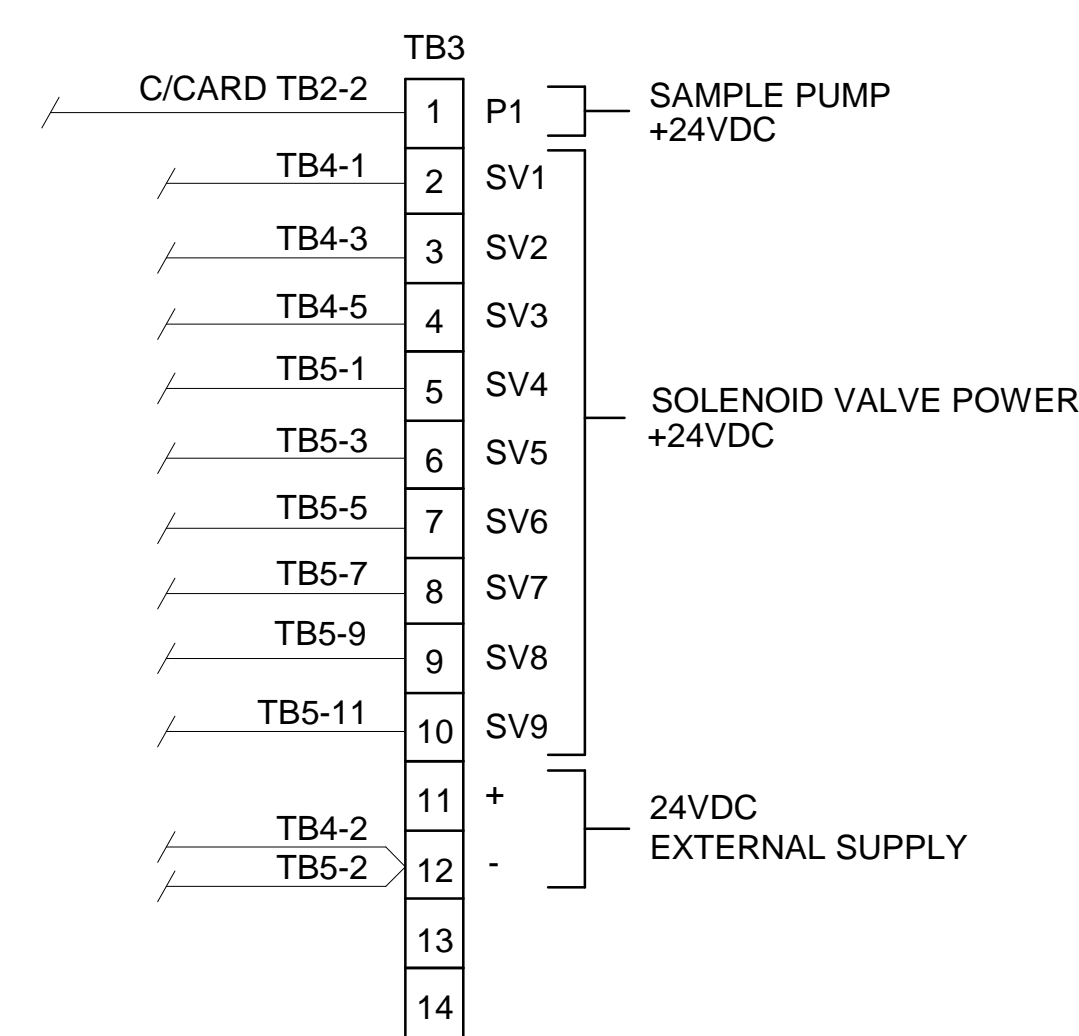
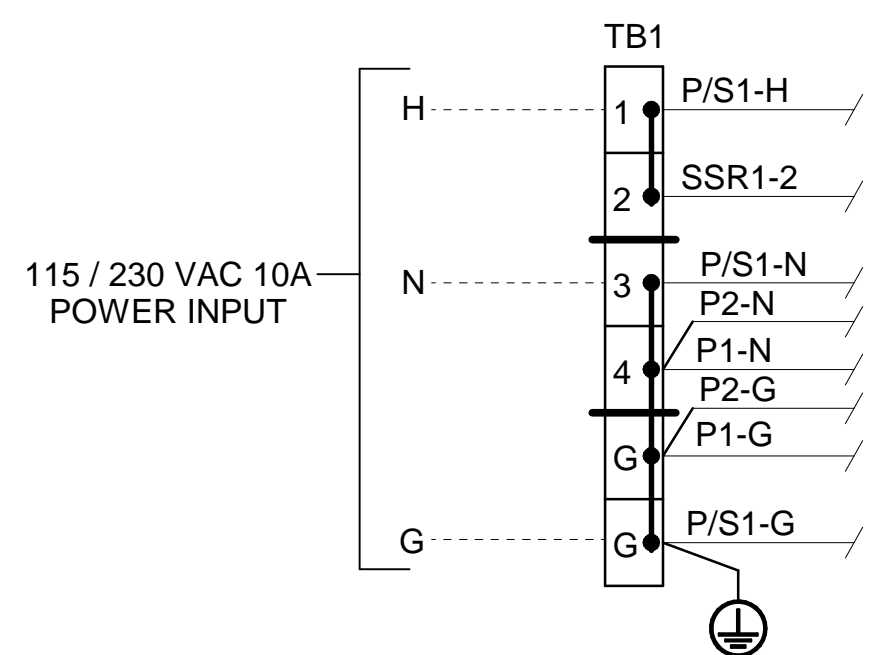


- PLC OR DATA LOGGER**
- 1) CALIBRATION/SAMPLE SELECT
  - 2) CALIBRATION GAS SELECT
  - 3) SYSTEM/DIRECT CALIBRATION SELECT-SYSTEM BIAS CALCULATION
  - 4) PROBE BLOW BACK
  - 5) PROBE LOW TEMPERATURE ALARM
  - 6) CHILLER MALFUNCTION-HIGH TEMPERATURE OR CONDENSATE CARRY-OVER
  - 7) HIGH INLET VACUUM - PROBE FILTER INITIATE BLOWBACK OR MAINTENANCE
  - 8) SAMPLE/CALIB. GAS PRESS LOW-ALARM FOR MAINTENANCE

**NOTES:**

1. ALL FITTINGS 1/4" TUBE (UNLESS OTHERWISE NOTED).

				A	5-4-16	AS BUILT	CK	MW
<b>644 SCU P&amp;ID</b>				REV	DATE	DESCRIPTION	DWN/APVD	
				REVISIONS				
				DATE	SCALE	SIZE	SHEET	
				08/12/2014	NTS	D	4 OF 5	
PART NO.	FOR	ECO#	DRAWING NO.					
600-SCU-INT	600 Series	2809	P2134					



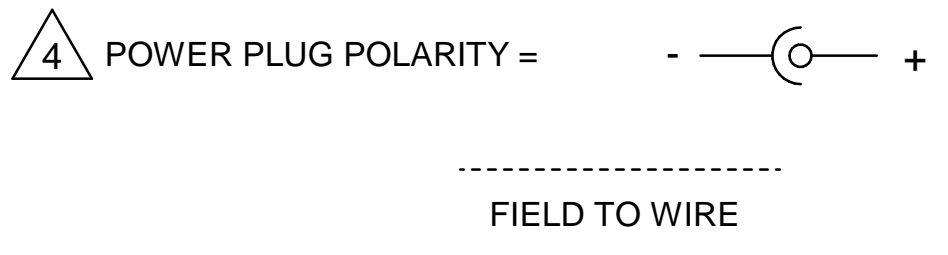
**CONDUIT AND WIRING NOTES**

- ELECTRICAL CLASSIFICATION : INSIDE - GENERAL PURPOSE SYSTEM IS CONFIGURED AT THE FACTORY FOR REQUIRED VOLTAGE. CONTACT FACTORY FOR VOLTAGE CHANGE REQUIREMENTS.
- AC WIRING SHALL BE INDIVIDUAL CONDUCTORS OF STRANDED TINNED COPPER WITH 300V, TYPE TFE INSULATION. MINIMUM WIRE SIZE SHALL BE 18 AWG UNLESS OTHERWISE SPECIFIED. COLOR CODE SHALL BE AS FOLLOWS:

115VAC		230VAC	
HOT	- BLACK	L1	- BROWN
NEUTRAL	- WHITE	L2	- BLUE
GROUND	- GREEN	G	- GREEN

- DC WIRING SHALL BE INDIVIDUAL CONDUCTORS OF STRANDED TINNED COPPER WITH 300V, TYPE TFE INSULATION. MINIMUM WIRE SIZE SHALL BE 22 AWG UNLESS OTHERWISE SPECIFIED.

115VAC		230VAC	
+V	- RED	+VDC	- RED
0V	- BLUE	-VDC	- BLACK



				A	5-4-16	AS BUILT	CK	MW
<b>600 SERIES WIRING SCHEMATIC</b>		DATE: 08/12/2014 SCALE: NTS SIZE: D SHEET: 5 OF 5		REV	DATE	DESCRIPTION	DWN	APVD
PART NO. 600-SCU-INT		FOR 600 Series		DRAWN BY: M. Walsler APVD BY: M. Withrow		ECO#: 2809	DRAWING NO. P2134	