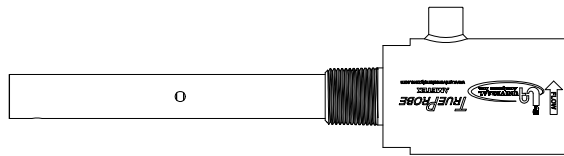
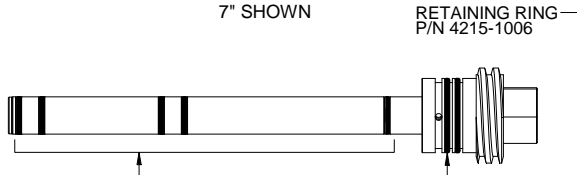


TRUEPROBE SHROUD
7" SHOWN



TRUEPROBE SLEEVE
7" SHOWN

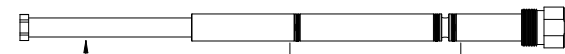


RETAINING RING
P/N 4215-1006

LOWER SHEATH O-RINGS :
VITON P/N 4904-2043
KALREZ P/N 4904-2046

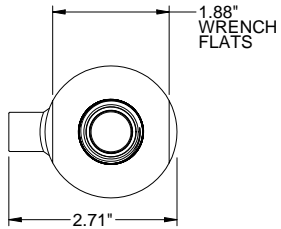
UPPER SHEATH O-RINGS :
VITON P/N 4904-2045
KALREZ P/N 4904-2048

TRUEPROBE FILTER
7" SHOWN

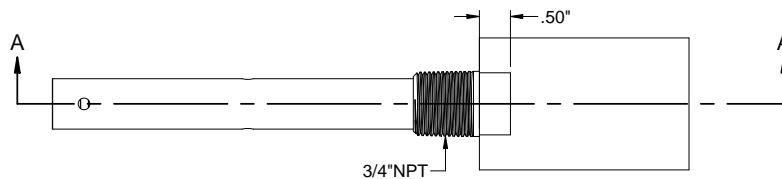


FILTER O-RINGS :
VITON P/N 4904-2044
KALREZ P/N 4904-2047

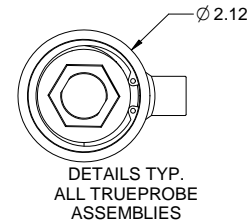
FILTER ELEMENT
P/N 4980-1113-1.5 POROUS PTFE FOR 4"
P/N 4980-1114-3 POROUS PTFE FOR 7", 9" & 12"
TRUE PROBE ASSEMBLIES



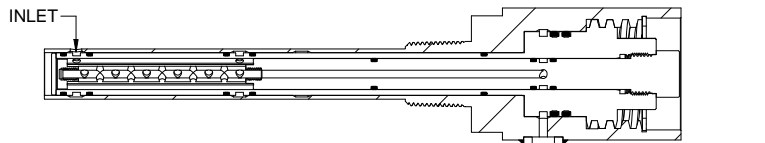
DETAILS TYP.
ALL TRUEPROBE
ASSEMBLIES



DETAILS TYP.
ALL TRUEPROBE
ASSEMBLIES

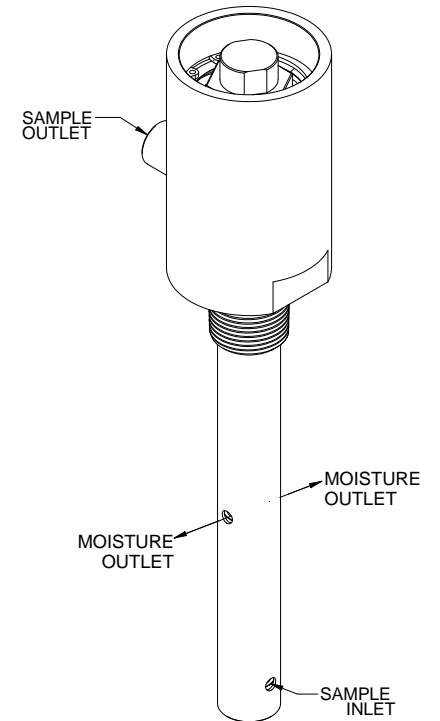


DETAILS TYP.
ALL TRUEPROBE
ASSEMBLIES



SECTION A-A

1/8" NPT SAMPLE PORT





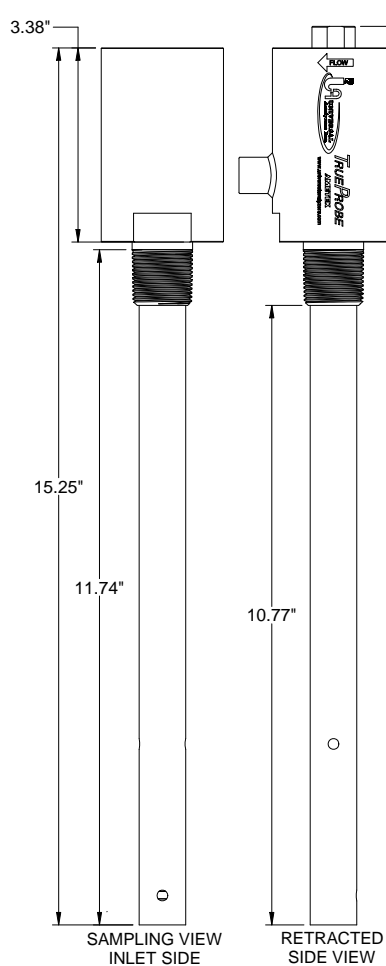
SAMPLE
OUTLET

MOISTURE
OUTLET

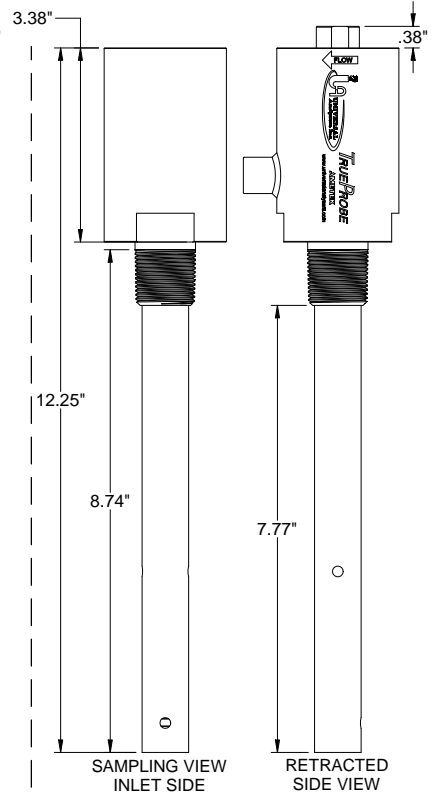
MOISTURE
OUTLET

SAMPLE
INLET

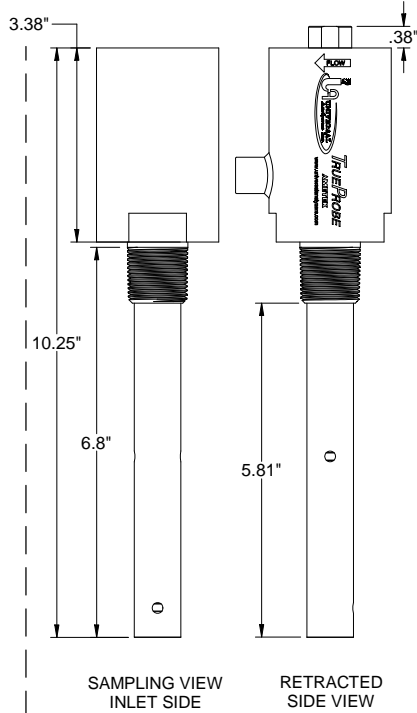
5200 Convoir Drive Carson City, NV 89706 PH(775)883-2500 FAX (775)883-6388		B	10/14/14	REVISE TO SINGLE OUTLET	WC	JP
 		REV	DATE	DESCRIPTION	DWN	APVD
TrueProbe						
FOR		DATE		SCALE	SIZE	SHEET
SEE TABLE		07/26/2014		1:1	D	1 OF 2
DRAWN BY		APVD BY		ECO#	DRAWING NO.	
W. COWAN		J. PUTZIER		2213	P2167	



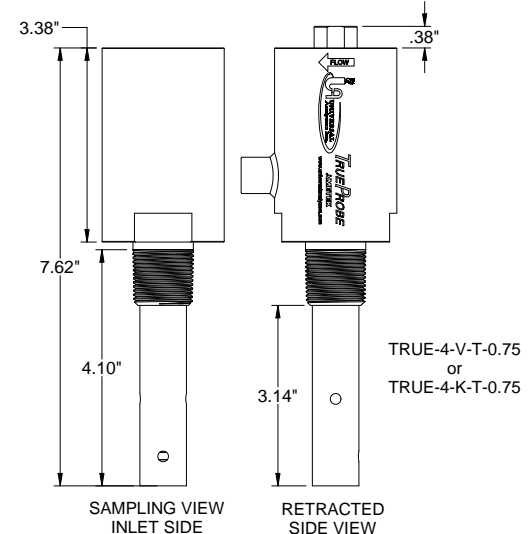
TRUE-12-V-T-0.75
or
TRUE-12-K-T-0.75



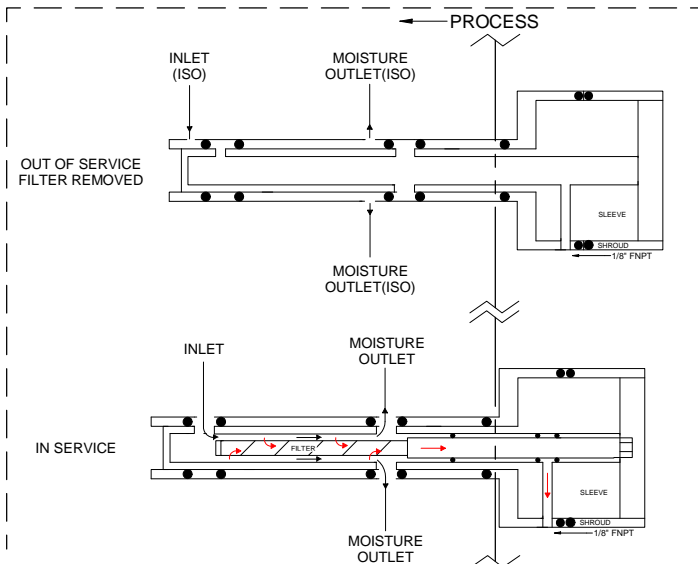
TRUE-9-V-T-0.75
or
TRUE-9-K-T-0.75





TRUE-7-V-T-0.75
or
TRUE-7-K-T-0.75



TRUE-4-V-T-0.75
or
TRUE-4-K-T-0.75



 	City, NV 89706 PH(775)883-2500 FAX (775)883-6388	B	10/14/14	REVISE TO SINGLE OUTLET	WC	JP
		REV	DATE	DESCRIPTION	DWN	APVD
TrueProbe						
	DATE	SCALE	SIZE	SHEET		
	07/26/2014	1:1	D	2 OF 2		
	DRAWN BY	ECO#	DRAWING NO.			
SEE TABLE	FOR	APVD BY	W. COWAN	J. PUTZIER	2213	P2167
	TRUEPROBE					